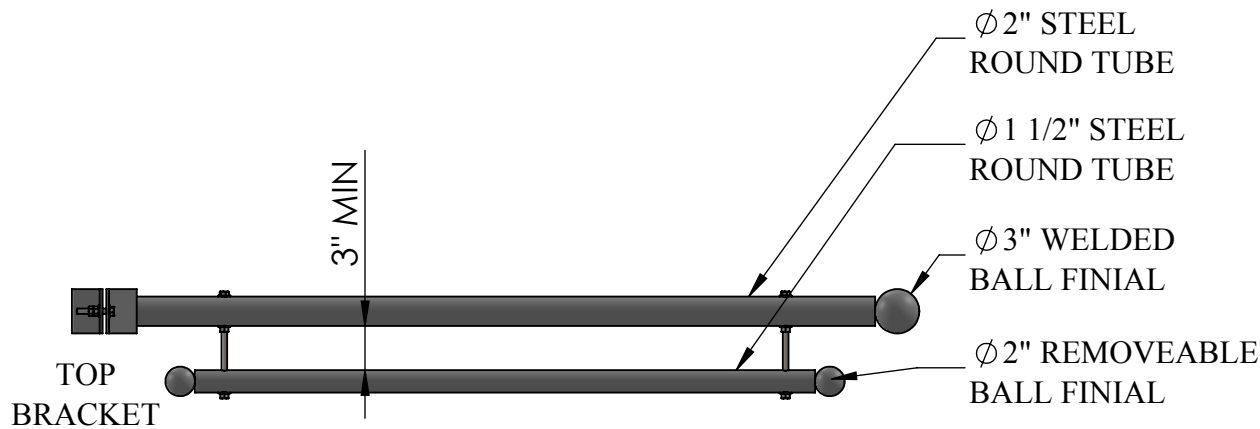


For Round Poles, 36" Banner

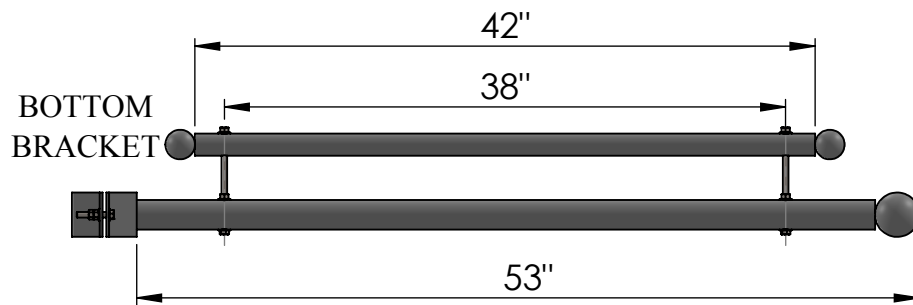


Ø2" STEEL
ROUND TUBE

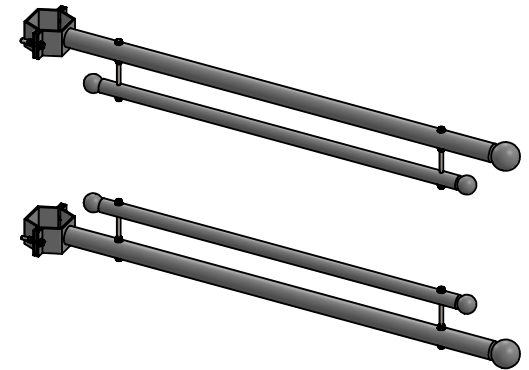
Ø1 1/2" STEEL
ROUND TUBE

Ø3" WELDED
BALL FINIAL

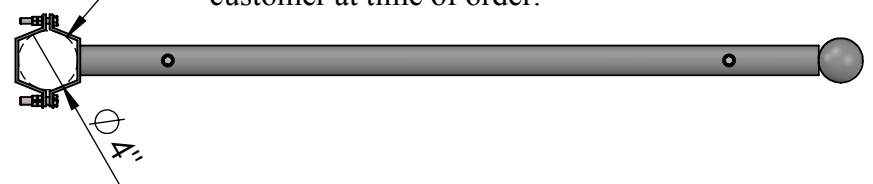
Ø2" REMOVEABLE
BALL FINIAL



FRONT VIEW



Custom clamps available for
poles of diameter/width 3" to 8".
Pole shape/size specified by
customer at time of order.



TOP VIEW

Date: 05/2015
Scale: NTS
CB:
Order#:

Content: Trapeze Banner 1-Way Bracket for 36" Banner
PN: 303B-1WSET-36
Color/Finish: Textured Black Powder Coat
Customer Approval: _____

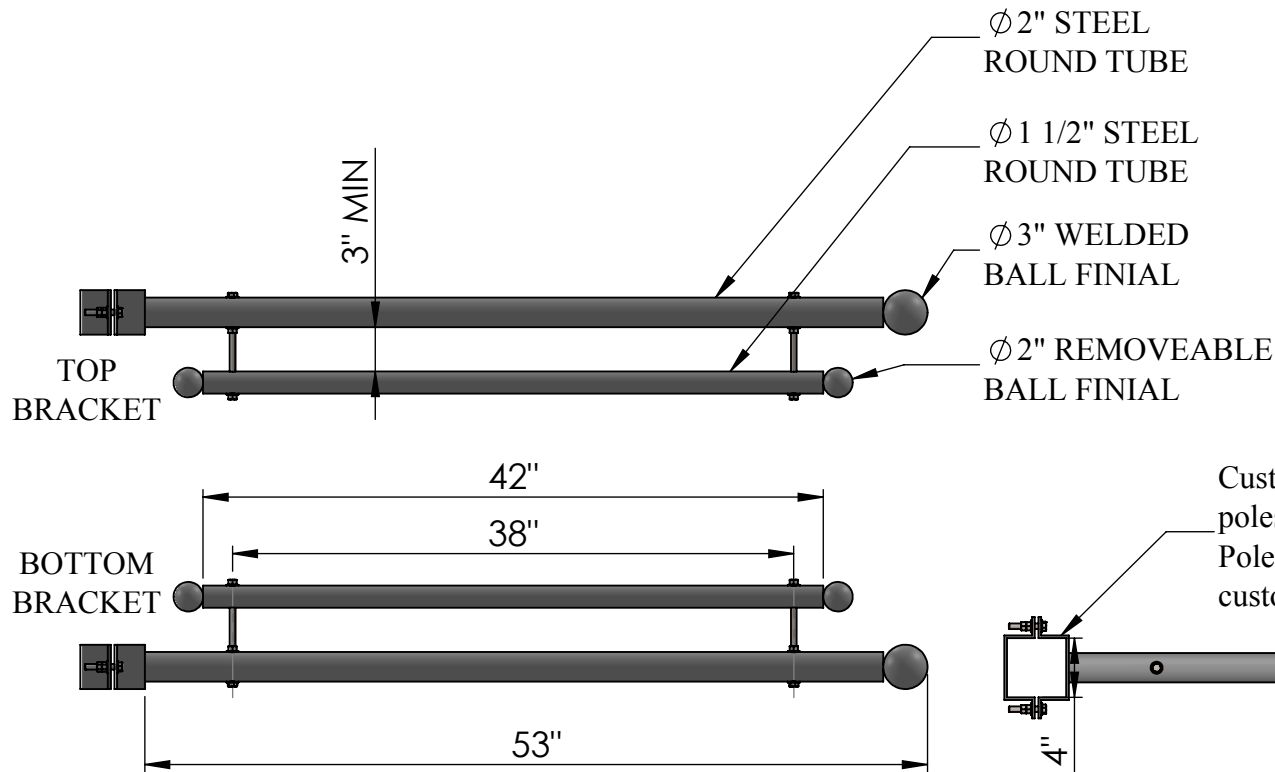
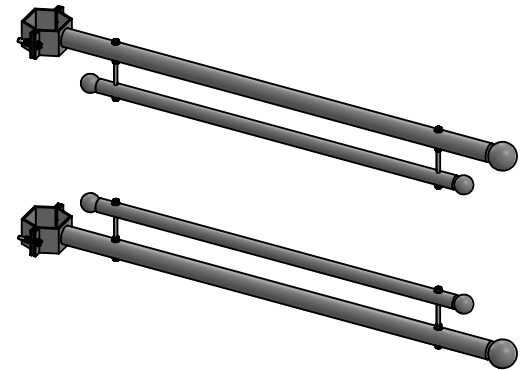
Design by Sign Bracket Store. All visual representations and designs are the intellectual property of Sign Bracket Store and protected under copyright law. Any duplication of this design is in direct violation of the law and will result in legal action.
© Copyright 2008-2015



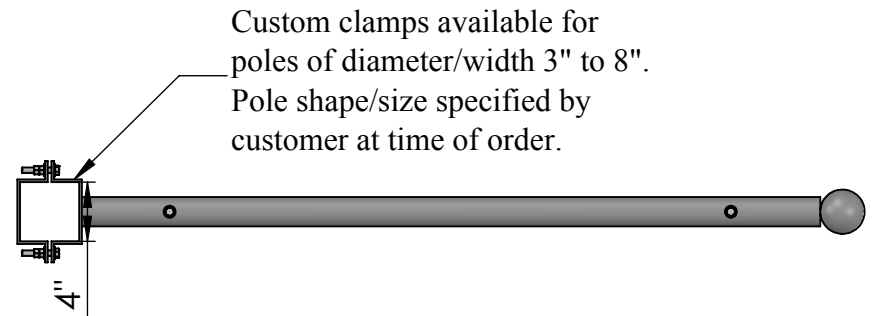
T: 888-919-7446

F: 760-603-0812

For Square Poles, 36" Banner



FRONT VIEW



TOP VIEW

Date: 05/2015
 Scale: NTS
 CB:
 Order#:

Content: Trapeze Banner 1-Way Bracket for 36" Banner
 PN: 303B-1WSET-36
 Color/Finish: Textured Black Powder Coat
 Customer Approval: _____

Design by Sign Bracket Store. All visual representations and designs are the intellectual property of Sign Bracket Store and protected under copyright law. Any duplication of this design is in direct violation of the law and will result in legal action.
 © Copyright 2008-2015



T: 888-919-7446

F: 760-603-0812