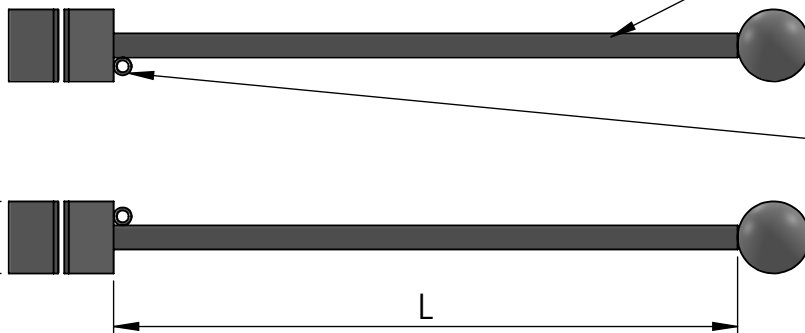
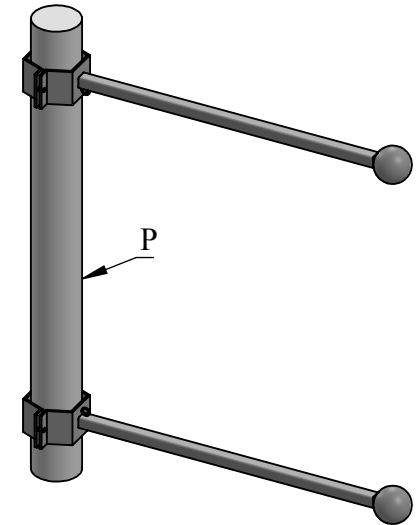


For Use With Round Poles



TOP VIEW



FRONT VIEW

1" STEEL
SQUARE TUBE

Ø 3" REMOVEABLE STEEL
BALL FINIAL

BANNER
TIE-DOWN RING

	Standard Sizes*
Arm Length (L)	20", 26", 38"
Pole Dia./Width (P)	3", 4", 6"

**Custom sizes available, call for details.*

Date: 05/2015
Scale: NTS
CB:
Order#:

Content: One-Way Ball Finial Banner Bracket Pair
PN: 310B-1WSET-BF
Color/Finish: Textured Black Powder Coat
Customer Approval: _____

Design by Sign Bracket Store. All visual representations and designs are the intellectual property of Sign Bracket Store and protected under copyright law. Any duplication of this design is in direct violation of the law and will result in legal action.
© Copyright 2008-2015



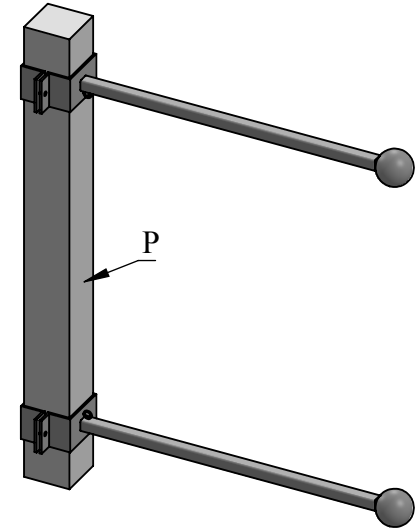
T: 888-919-7446

F: 760-603-0812

For Use With Square Poles



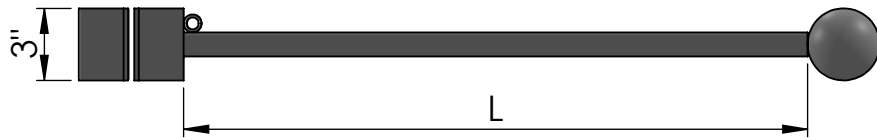
TOP VIEW



1" STEEL
SQUARE TUBE

Ø 3" REMOVEABLE STEEL
BALL FINIAL

BANNER
TIE-DOWN RING



FRONT VIEW

	Standard Sizes*
Arm Length (L)	20", 26", 38"
Pole Dia./Width (P)	3", 4", 6"

**Custom sizes available, call for details.*

Date: 05/2015
Scale: NTS
CB:
Order#:

Content: One-Way Ball Finial Banner Bracket Pair
PN: 310B-1WSET-BF
Color/Finish: Textured Black Powder Coat
Customer Approval: _____

Design by Sign Bracket Store. All visual representations and designs are the intellectual property of Sign Bracket Store and protected under copyright law. Any duplication of this design is in direct violation of the law and will result in legal action.
© Copyright 2008-2015



T: 888-919-7446

F: 760-603-0812