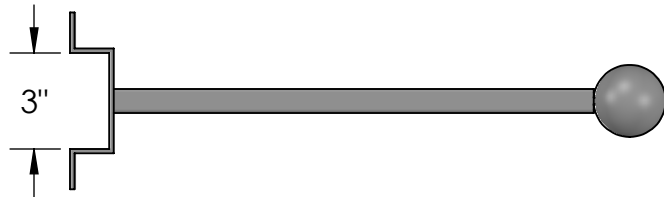
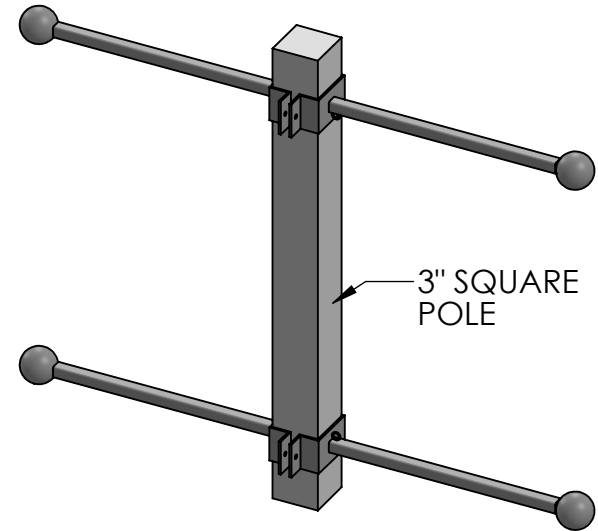


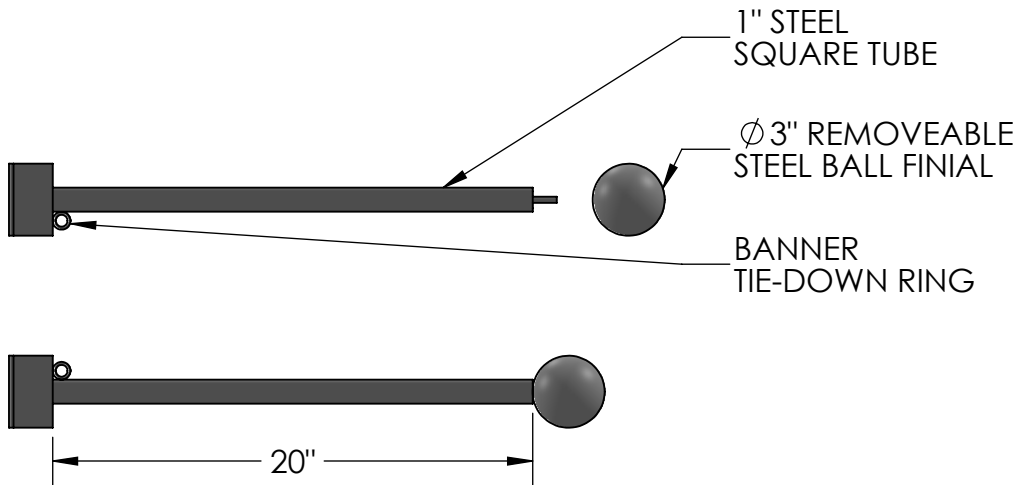
For Use With 3" Square Poles



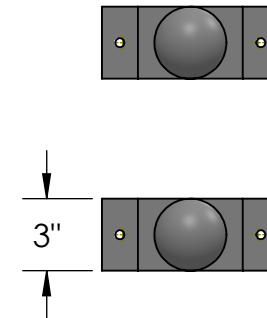
TOP VIEW



3" SQUARE POLE



FRONT VIEW



SIDE VIEW

Date: 10/2015
 Scale: NTS
 DB: CF
 CB:
 Order#:

Content: 2-Way Ball Finial Banner Bracket PAIR - 3" SQ
 PN: 310B-2WSET-BF-20-3SQ
 Color/Finish: Textured Black Powder Coat
 Customer Approval: _____

Design by Sign Bracket Store. All visual representations and designs are the intellectual property of Sign Bracket Store and protected under copyright law. Any duplication of this design is in direct violation of the law and will result in legal action.
 © Copyright 2008-2015



T: 888-919-7446

F: 760-603-0812