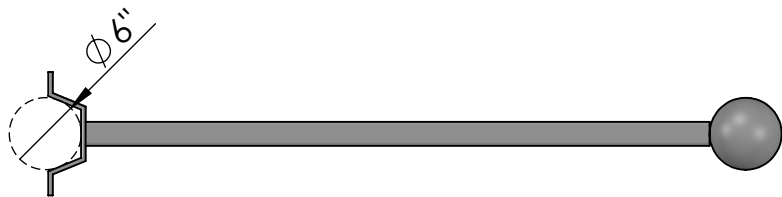
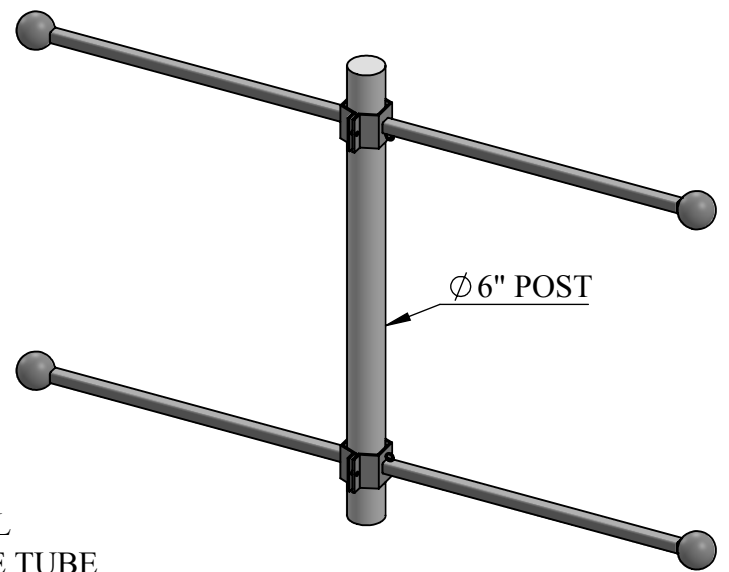


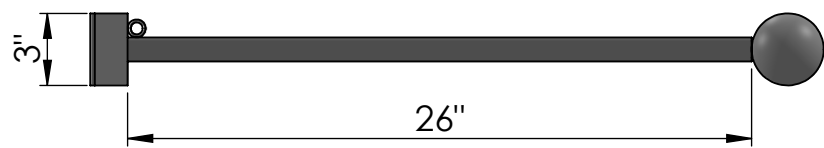
For Use With  $\phi$  6" Round Poles



TOP VIEW



- 1" STEEL SQUARE TUBE
- $\phi$  3" REMOVEABLE STEEL BALL FINIAL
- BANNER TIE-DOWN RING




FRONT VIEW

Date: 07/2015  
Scale: NTS  
DB: CF  
CB:  
Order#:

Content: Two-Way Ball Finial Banner Bracket Set  
PN: 310B-2WSET-BF-26-6R  
Color/Finish: Textured Black Powder Coat  
Customer Approval: \_\_\_\_\_

Design by Sign Bracket Store. All visual representations and designs are the intellectual property of Sign Bracket Store and protected under copyright law. Any duplication of this design is in direct violation of the law and will result in legal action.  
© Copyright 2008-2015

**SIGN BRACKET STORE**  
By Hooks & Lattice  [SignBracketStore.com](http://SignBracketStore.com)  
T: 888-919-7446 F: 760-603-0812