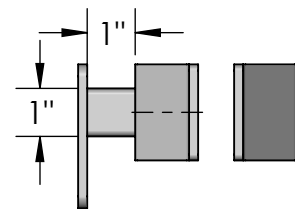
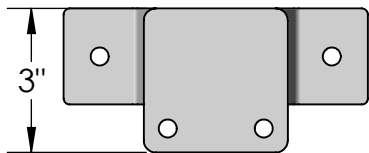
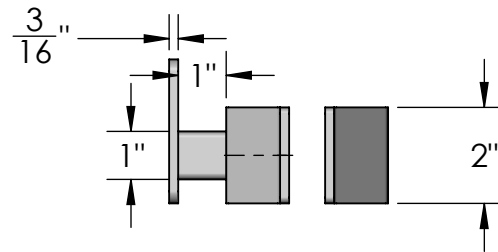
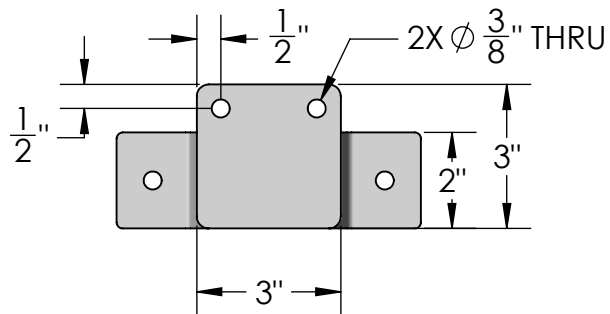
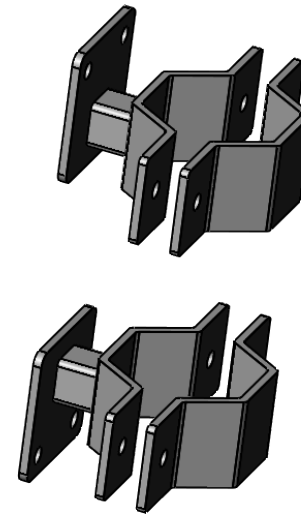
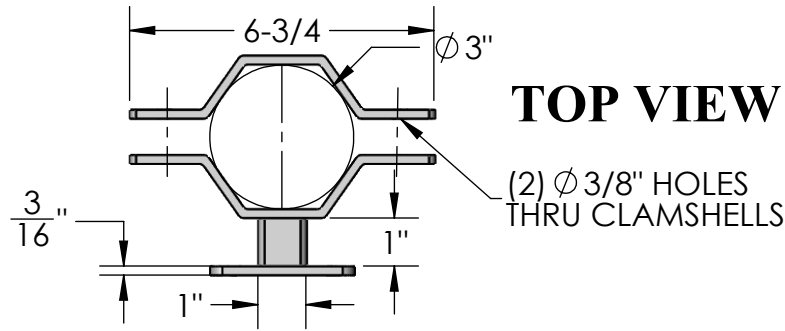


**General Notes:**

1. Clamshell clamps have (2)  $\phi 3/8$ " post-mounting holes predrilled.
2. Clamps sized to fit  $\phi 3$ " OD round post.
3. Bracket comes as a pair.

REVISIONS			
REV.	DESCRIPTION	DATE	CB
A	ORIGINAL DRAWING	10/2017	ZB



Material:  
Steel

Content: Custom Post Mount Sign Adapter

Scale: 1:4

PN: 325B-CSM-3X3-3R-2PC

DB: ZB

Color/Finish: Textured Black Powder Coat

Rev: A

Sheet: 1 of 1

Customer Approval: \_\_\_\_\_

Design by Sign Bracket Store. All visual representations and designs are the intellectual property of Sign Bracket Store and protected under copyright law. Any duplication of this design is in direct violation of the law and will result in legal action.  
© Copyright 2008-2017



T: 888-919-7446

F: 760-603-0812