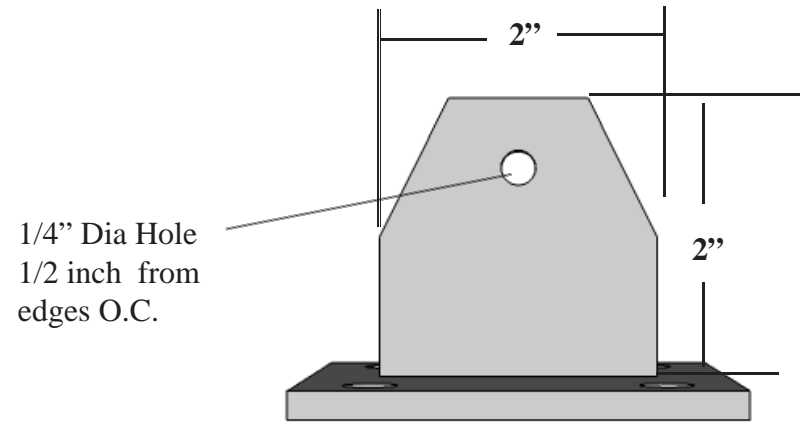
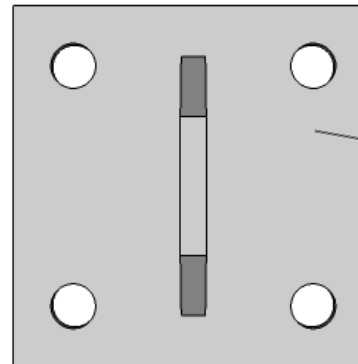


TAB PERSPECTIVE



TAB PROFILE



3 x 3 x 3/16" Inch Plate
with 4, 3/8" holes 1/2 inch
from Edges O.C.

TAB FRONT VIEW

PART # 398B-3x3-TAB

Date: June 2011
Sheet 1 of 1
Scale: NTS

Drawn by: KE
Content: 3 x 3 inch Banner Stabilizer Tab
Color: Powder Coated Textured Black
Customer Approval: _____

Design by Sign Bracket Store. All visual representations and designs are the intellectual property of Sign Bracket Store and protected under copyright law. Any duplication of this design is in direct violation of the law and will result in legal action.
© Copyright 2008-2011

SIGN BRACKET STORE
By Hooks & Lattice  SignBracketStore.com
T:888-919-7446 F:760-603-0812