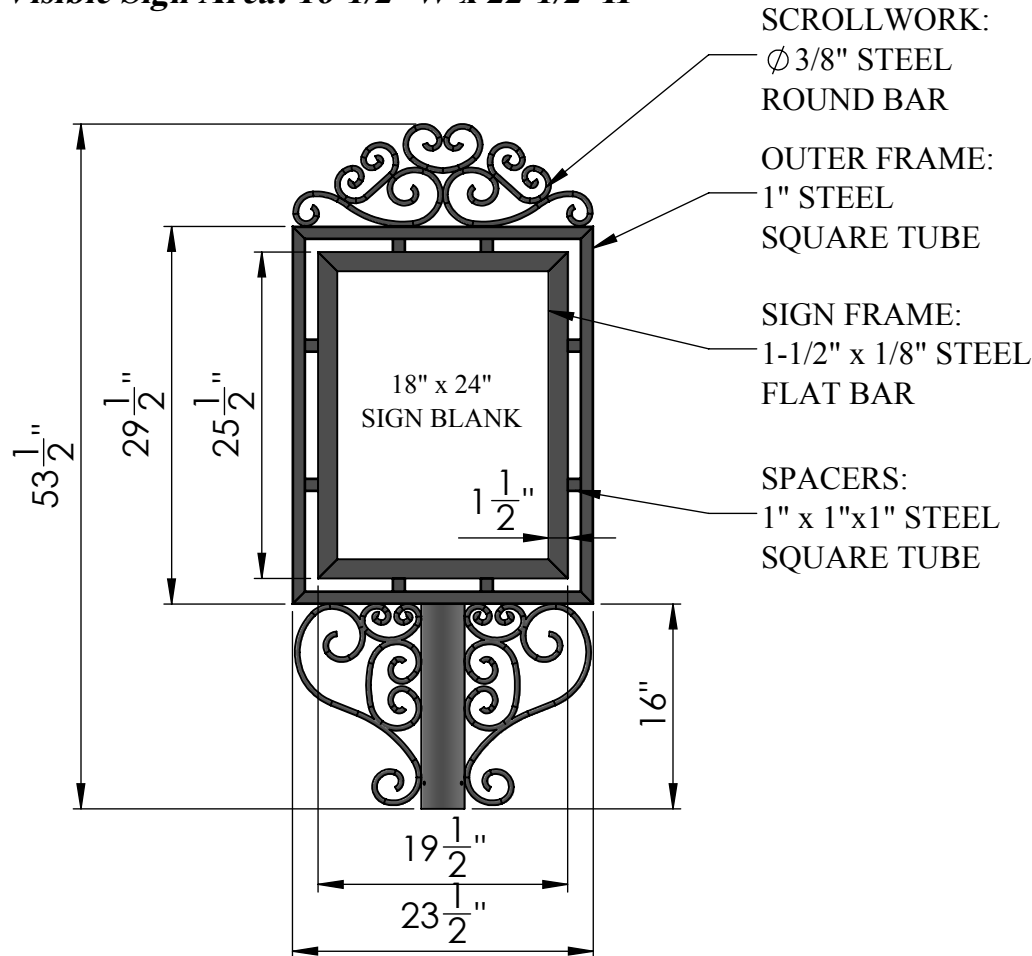
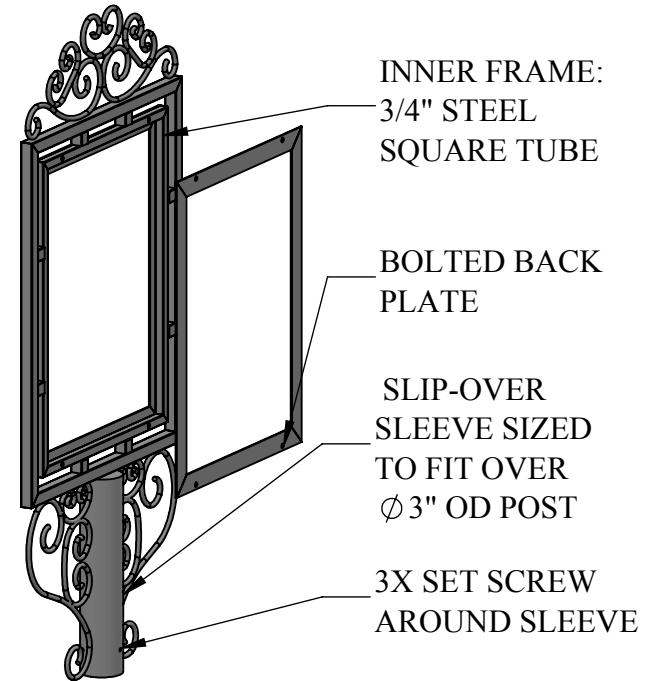


TOP ONLY - FOR USE WITH 18" x 24" x 3/4" SIGNS

Visible Sign Area: 16-1/2"W x 22-1/2"H



FRONT VIEW



BACK ISOMETRIC VIEW

Date: 09/2015
 Scale: NTS
 DB: CF
 CB:
 Order#:

Content: Decorative Slip-Over Sign Holder - 18" x 24"
 PN: 320B-1824
 Color/Finish: Textured Black Powder Coat
 Customer Approval: _____

Design by Sign Bracket Store. All visual representations and designs are the intellectual property of Sign Bracket Store and protected under copyright law. Any duplication of this design is in direct violation of the law and will result in legal action.
 © Copyright 2008-2015



T: 888-919-7446

F: 760-603-0812