

REVISIONS			
REV.	DESCRIPTION	DATE	CB
A	ORIGINAL DRAWING	9/2015	CF
B	UPDATED OVERALL DIMS.	4/5/2016	CF

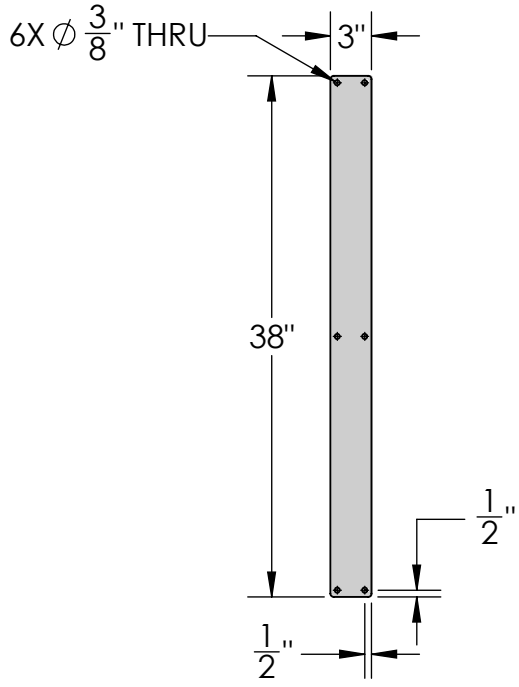
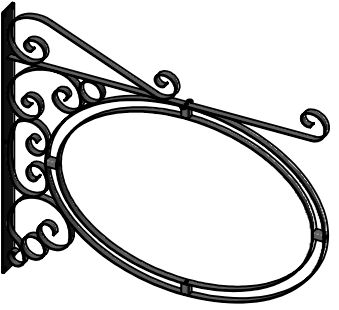
**INSTALLED TOGETHER:**

- 1.) 1201-WM-FRM-V3624
- 2.) AB100-V3624-100

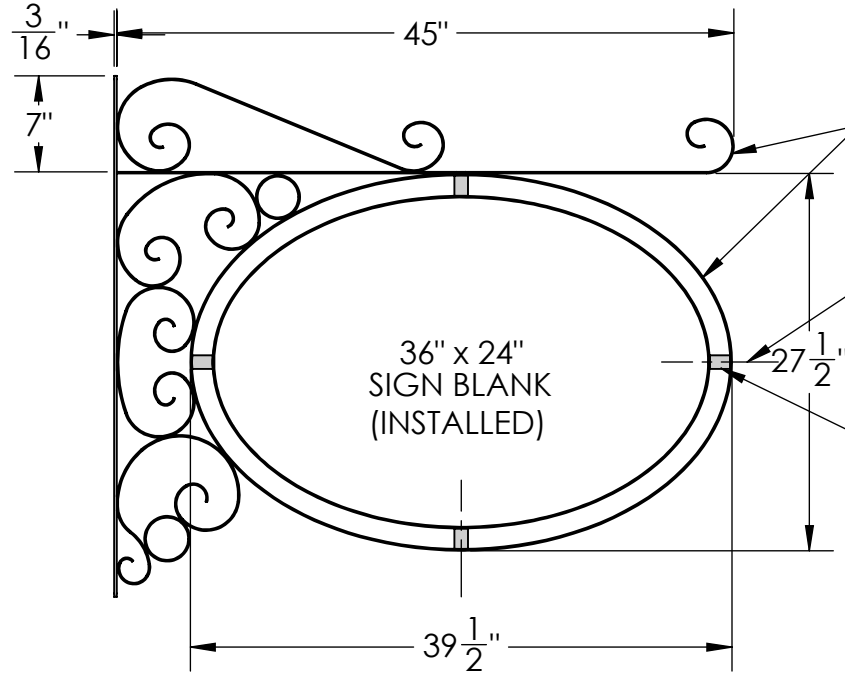
(2) GUY-WIRE RINGS



**TOP VIEW**



**SIDE VIEW**



**FRONT VIEW**

SCROLLWORK & OVAL FRAMES:  
1/8" x 1" STEEL  
FLAT BAR

4X Ø 3/8" SIGN  
MOUNT HOLES  
THRU FRAME & SPACERS


1" x 1" x 1 1/2"  
STEEL SQUARE  
TUBE SPACERS

36" x 24"  
SIGN BLANK  
(INSTALLED)

Material: **Steel**  
Scale: 1:14  
DB: CF  
Rev: B  
Sheet: 1 of 1

Content: Wall Mount Oval Sign Frame w/Scroll 36"x24"  
PN: 1201-WM-V3624-100  
Color/Finish: Textured Black Powder Coat  
Customer Approval: \_\_\_\_\_

Design by Sign Bracket Store. All visual representations and designs are the intellectual property of Sign Bracket Store and protected under copyright law. Any duplication of this design is in direct violation of the law and will result in legal action.  
© Copyright 2008-2016

**SIGN BRACKET STORE**  
By Hooks & Lattice  SignBracketStore.com  
T: 888-919-7446 F: 760-603-0812