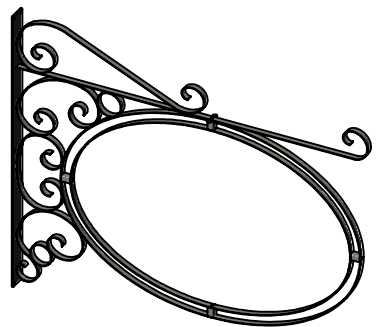
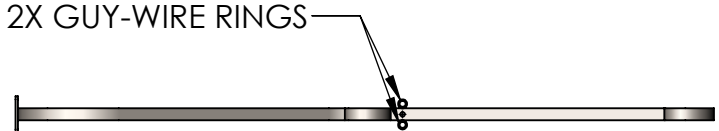
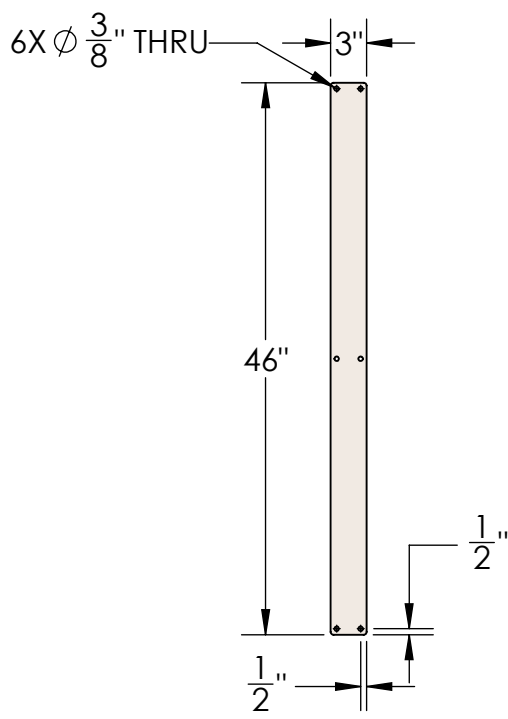


REVISIONS			
REV.	DESCRIPTION	DATE	CB
A	ORIGINAL DRAWING	4/2015	CF
B	UPDATED OVERALL DIMS.	4/5/2016	CF

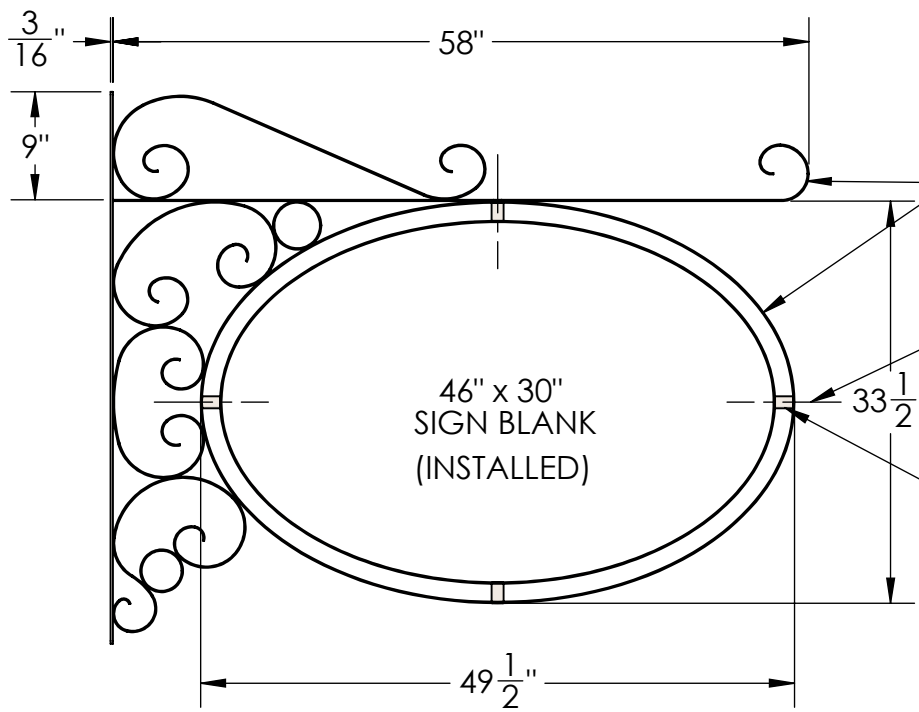
INSTALLED TOGETHER:
 1.) 1201-WM-FRM-V4630
 2.) AB100-V4630-100



TOP VIEW



SIDE VIEW



FRONT VIEW

SCROLLWORK & OVAL FRAMES:
 1/8" x 1" STEEL
 FLAT BAR

4X Ø 3/8" SIGN
 MOUNT HOLES
 THRU FRAME & SPACERS

1" x 1" x 1 1/2"
 STEEL SQUARE
 TUBE SPACERS

Material: **Steel**

Scale: 1:16
 DB: CF
 Rev: B
 Sheet: 1 of 1

Content: Wall Mount Oval Sign Frame w/Scroll 46"x30"
 PN: 1201-WM-V4630-100
 Color/Finish: Textured Black Powder Coat
 Customer Approval: _____

Design by Sign Bracket Store. All visual representations and designs are the intellectual property of Sign Bracket Store and protected under copyright law. Any duplication of this design is in direct violation of the law and will result in legal action.
 © Copyright 2008-2016



T: 888-919-7446 F: 760-603-0812