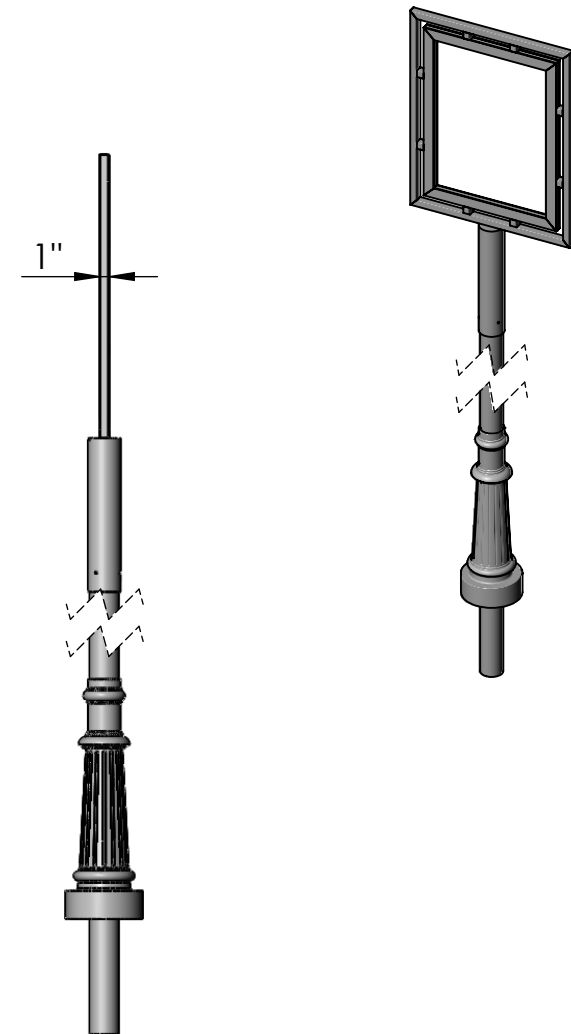


**FRONT VIEW**



**SIDE VIEW**

Date: 06/2015  
Scale: NTS  
DB: CF  
CB:  
Order#:

Content: Contemporary Sign Holder System - 18"x24"  
PN: 320B-NS-SFB24-1824  
Color/Finish: Textured Black Powder Coat  
Customer Approval: \_\_\_\_\_

Design by Sign Bracket Store. All visual representations and designs are the intellectual property of Sign Bracket Store and protected under copyright law. Any duplication of this design is in direct violation of the law and will result in legal action.  
© Copyright 2008-2015



T: 888-919-7446

F: 760-603-0812