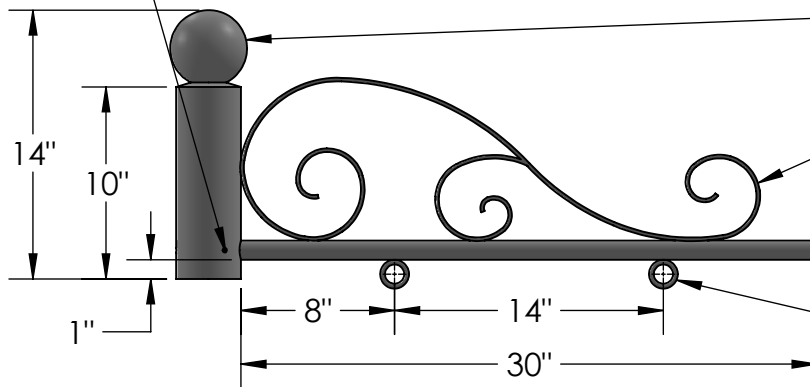


REVISIONS			
REV.	DESCRIPTION	DATE	CB
A	ORIGINAL DRAWING	6/2015	CF
B	UPDATED ARM LENGTH, 30" NOT INC. BF	3/21/2016	CF

3X SET SCREW
AROUND
SLEEVE

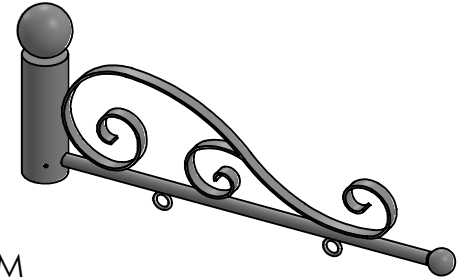


Ø 4" ALUMINUM
BALL FINIAL

1" x 3/16" ALUMINUM
FLAT BAR

Ø 2" ALUMINUM
BALL FINIAL

Ø 1-1/2" OD
BRACKET RING



FRONT VIEW

SLEEVE SIZED TO
SLIP OVER Ø 3"
OD POST



1" ALUMINUM
ROUND TUBE

SLEEVE:
Ø 3-1/2" OD

BOTTOM VIEW

Material:
Aluminum

Scale: 1:10
DB: CF
Rev: B
Sheet: 1 of 1

Content: 30" Torino Slip-Over Bracket - Top Only

PN: 325B-SO-TSB-30

Color/Finish: Textured Black Powder Coat

Customer Approval: _____

Design by Sign Bracket Store. All visual representations and designs are the intellectual property of Sign Bracket Store and protected under copyright law. Any duplication of this design is in direct violation of the law and will result in legal action.

© Copyright 2008-2016

SIGN BRACKET STORE
By Hooks & Lattice  SignBracketStore.com

T: 888-919-7446

F: 760-603-0812