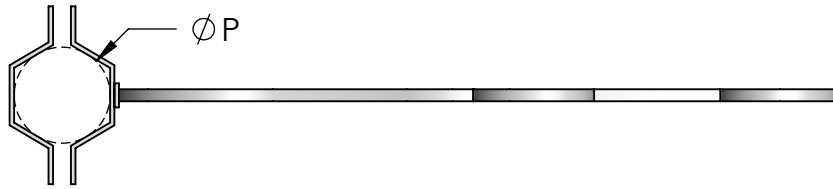
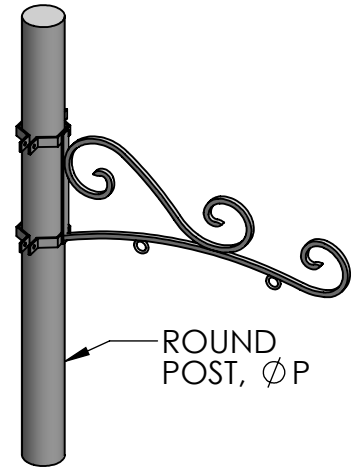


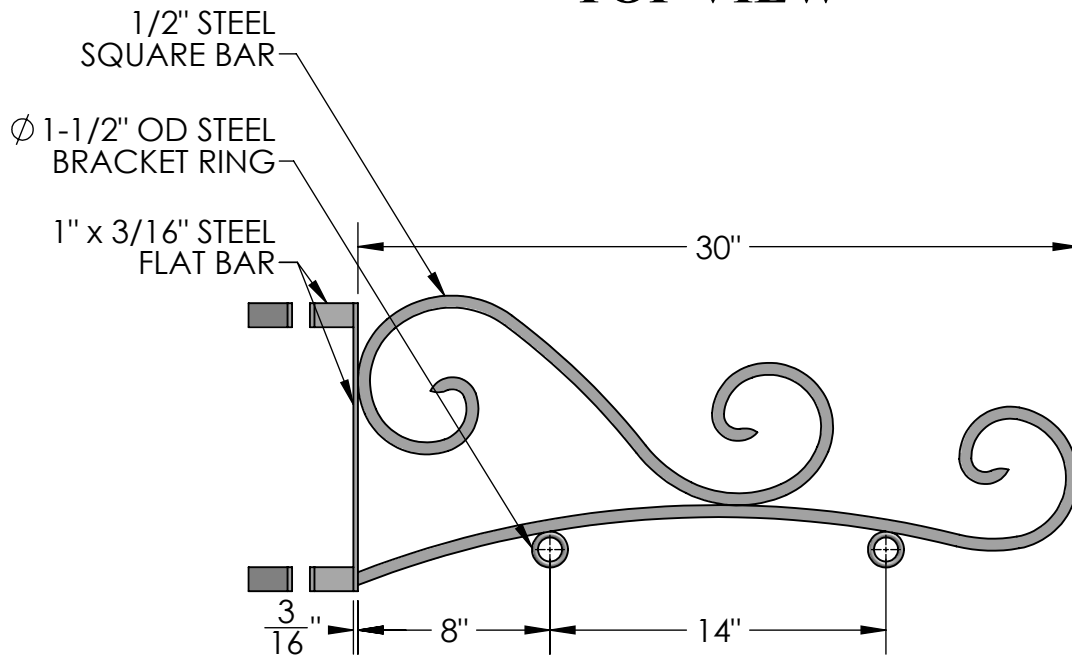
FOR USE WITH ROUND POSTS



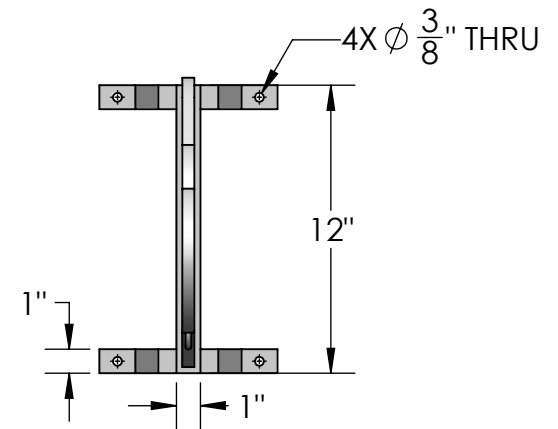
TOP VIEW



ROUND POST, Ø P



FRONT VIEW




SIDE VIEW

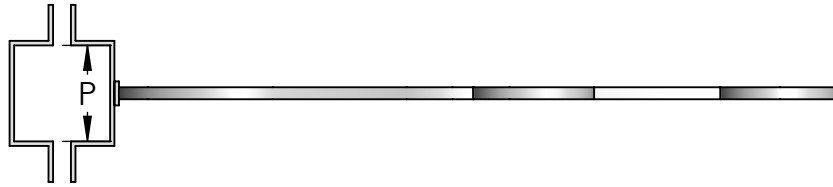
Date: 10/2015
 Scale: 1:8
 DB: CF
 CB:
 Order#:

Content: 30" Milano Hanging Sign Post Bracket
 PN: 371B-PM-30
 Color/Finish: Textured Black Powder Coat
 Customer Approval: _____

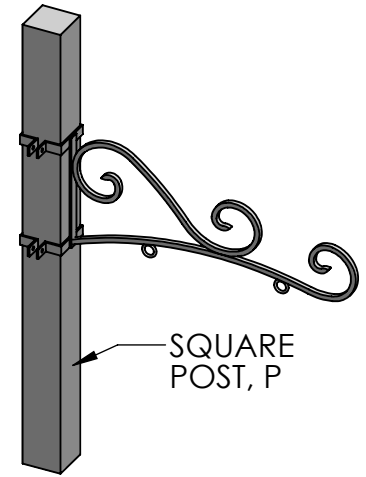
Design by Sign Bracket Store. All visual representations and designs are the intellectual property of Sign Bracket Store and protected under copyright law. Any duplication of this design is in direct violation of the law and will result in legal action.
 © Copyright 2008-2015

SIGN BRACKET STORE
 By Hooks & Lattice  SignBracketStore.com
 T: 888-919-7446 F: 760-603-0812

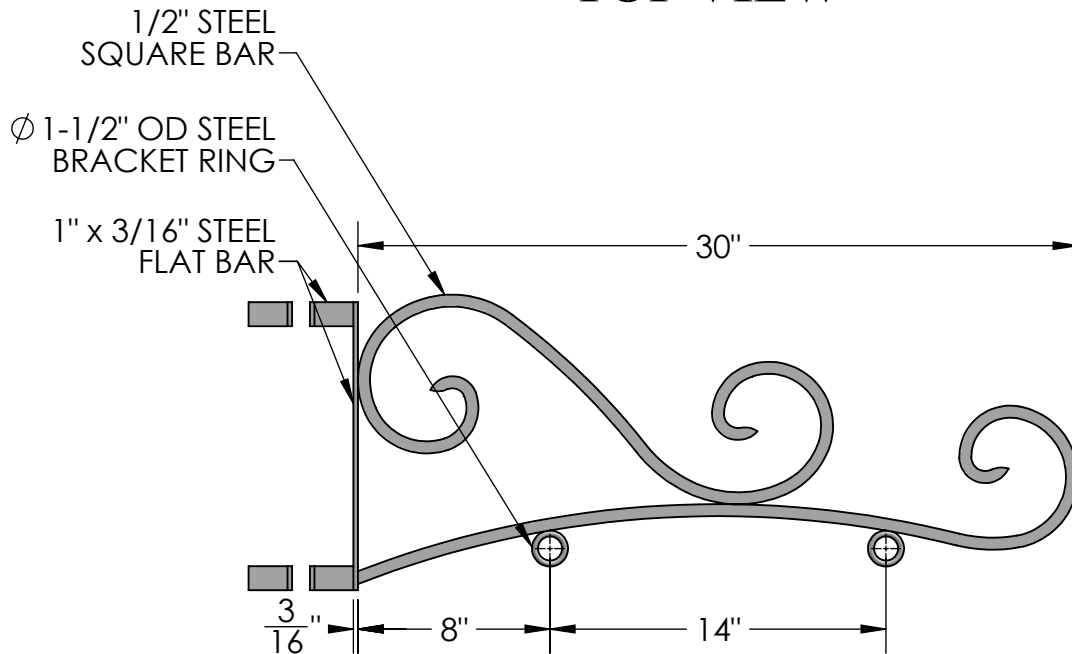
FOR USE WITH SQUARE POSTS



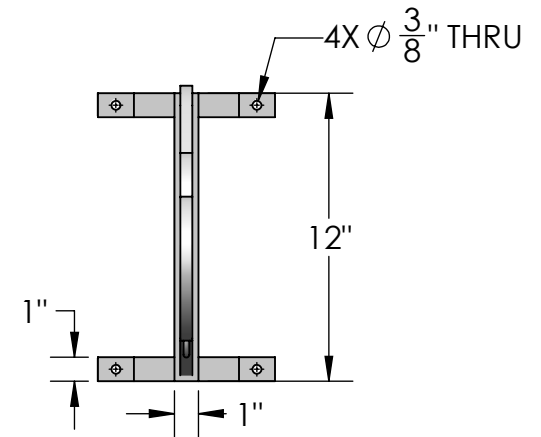
TOP VIEW



SQUARE POST, P



FRONT VIEW



SIDE VIEW

Date: 10/2015
 Scale: 1:8
 DB: CF
 CB:
 Order#:

Content: 30" Milano Hanging Sign Post Bracket
 PN: 371B-PM-30
 Color/Finish: Textured Black Powder Coat
 Customer Approval: _____

Design by Sign Bracket Store. All visual representations and designs are the intellectual property of Sign Bracket Store and protected under copyright law. Any duplication of this design is in direct violation of the law and will result in legal action.
 © Copyright 2008-2015



T: 888-919-7446

F: 760-603-0812