

30" MILANO POST
MOUNT BRACKET
PN: 371B-30-PP

Ø 3" STEEL
BALL FINIAL
PN: 392-BF-3X3SQ

3" x 3" x 8'L STEEL
SQUARE POST*

PN: 333B-P8SQ-NOBALL
**Burial depth is typically ~2 feet;
Check local ordinances for exact
specifications or requirements*

Date: 05/2015
Scale: NTS
CB:
Order#:

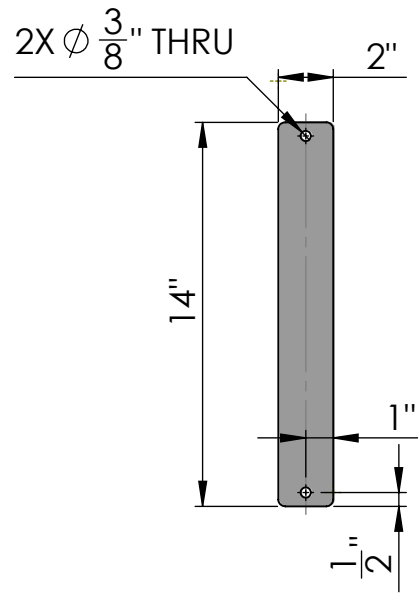
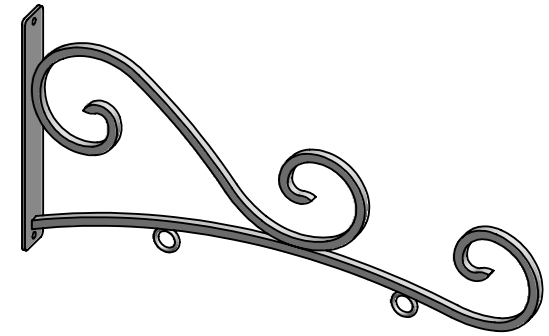
Content: 30" Arm Milano Post System
PN: 371P-30-SQ3
Color/Finish: Textured Black Powder Coat
Customer Approval: _____

Design by Sign Bracket Store. All visual representations and designs are the intellectual property of Sign Bracket Store and protected under copyright law. Any duplication of this design is in direct violation of the law and will result in legal action.
© Copyright 2008-2015

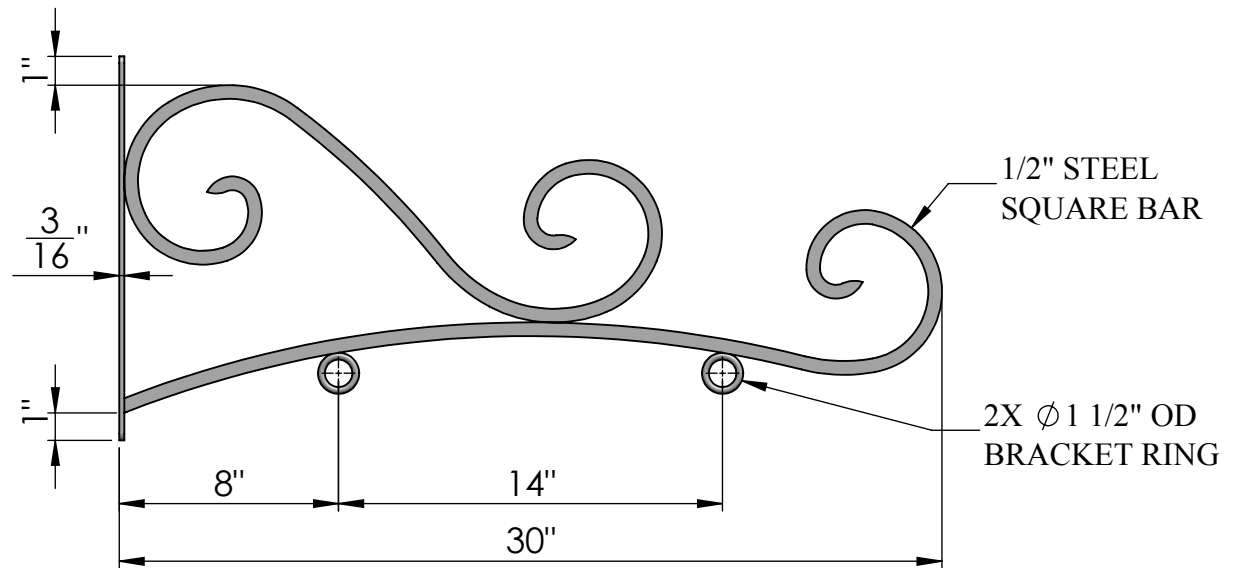
SIGN BRACKET STORE
By Hooks & Lattice  SignBracketStore.com

T: 888-919-7446

F: 760-603-0812



SIDE VIEW



FRONT VIEW

Date: 05/2015
 Scale: NTS
 CB:
 Order#:

Content: 30" Milano Arch Post Mount Sign Bracket
 PN: 371B-30-PP
 Color/Finish: Textured Black Powder Coat
 Customer Approval: _____

Design by Sign Bracket Store. All visual representations and designs are the intellectual property of Sign Bracket Store and protected under copyright law. Any duplication of this design is in direct violation of the law and will result in legal action.
 © Copyright 2008-2015

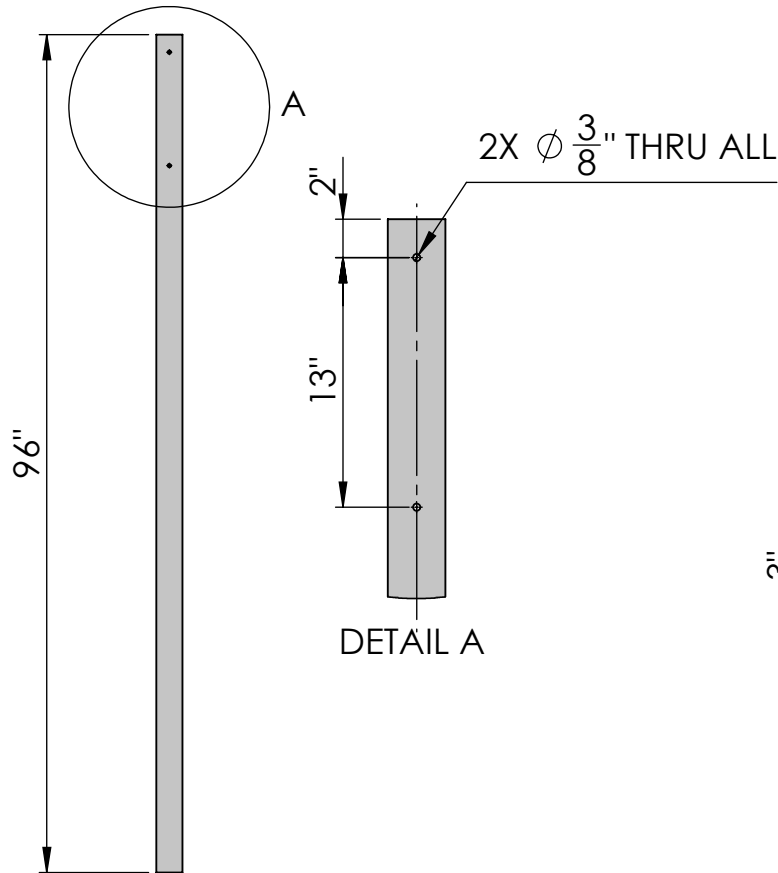


T: 888-919-7446

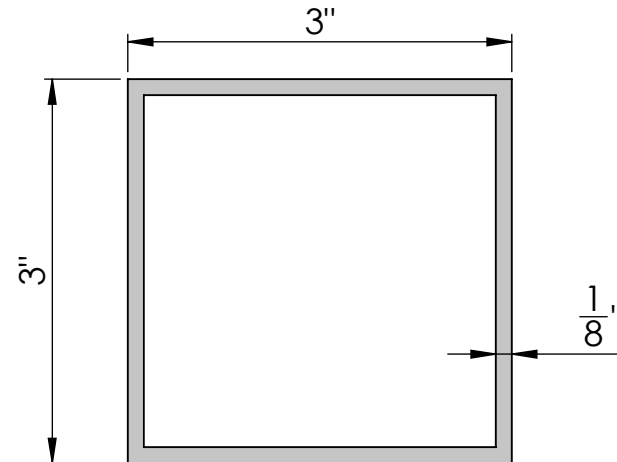
F: 760-603-0812

NOTES

- 1. **Material: Steel**
- 2. **All holes pre-drilled through opposite faces of post.**
- 3. **Four (4) holes total - Two (2) on front face, two (2) on back face**



FRONT/BACK VIEW



TOP VIEW

Date: 05/2015
Scale: NTS
CB:
Order#:

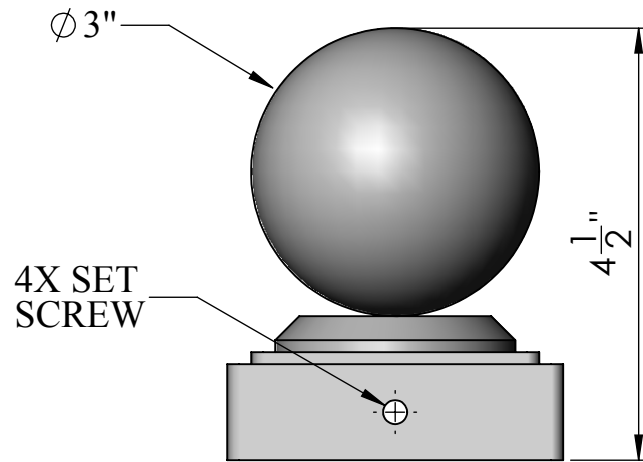
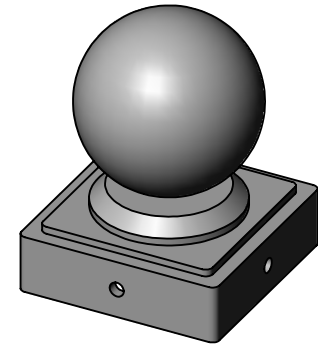
Content: 8" Square Steel Post
PN: 333B-P8SQ-NOBALL
Color/Finish: Textured Black Powder Coat
Customer Approval: _____

Design by Sign Bracket Store. All visual representations and designs are the intellectual property of Sign Bracket Store and protected under copyright law. Any duplication of this design is in direct violation of the law and will result in legal action.
© Copyright 2008-2015

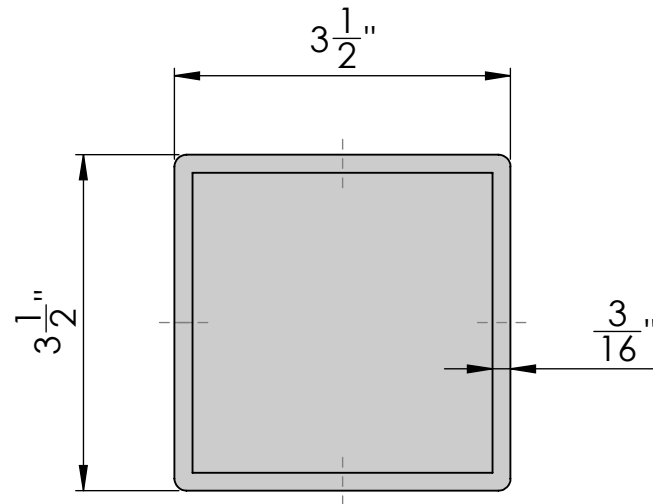


T: 888-919-7446

F: 760-603-0812



FRONT VIEW



BOTTOM VIEW

Date: 05/2015
 Scale: NTS
 CB:
 Order#:

Content: Steel Ball Finial for 3x3 Square Post
 PN: 392-BF-3X3SQ
 Color/Finish: Textured Black Powder Coat
 Customer Approval: _____

Design by Sign Bracket Store. All visual representations and designs are the intellectual property of Sign Bracket Store and protected under copyright law. Any duplication of this design is in direct violation of the law and will result in legal action.
 © Copyright 2008-2015



T: 888-919-7446

F: 760-603-0812