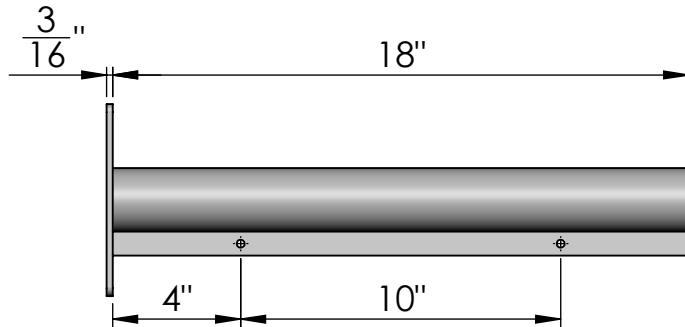
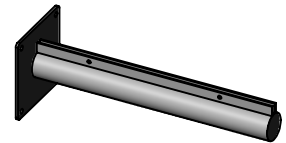
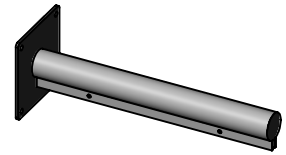


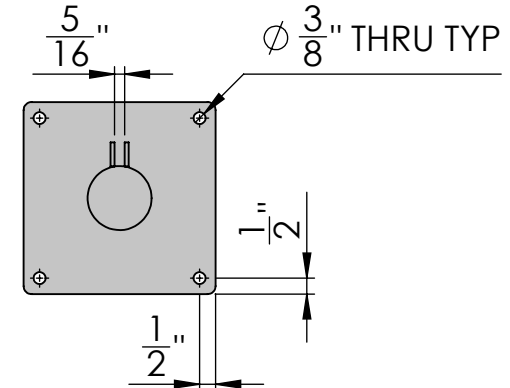
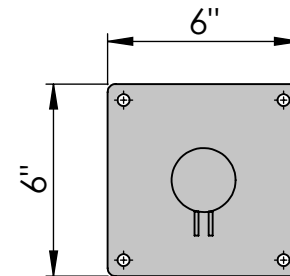
-FOR USE WITH 1/4" THICK SIGNS
-AVAILABLE IN TEXTURED BLACK OR SILVER



2X ϕ 1/4" SET SCREW
PER BRACKET ARM

3/4" x 1/8" STEEL
FLAT BAR
5/16" CHANNEL GAP

ϕ 2" STEEL
ROUND TUBE



FRONT VIEW

SIDE VIEW

Date: 07/2015
 Scale: NTS
 DB: CF
 CB:
 Order#:

Content: 18" Redondo Channel Sign Bracket
 PN: 388B-18-1-4
 Color/Finish: Textured Black or Silver Powder Coat
 Customer Approval: _____

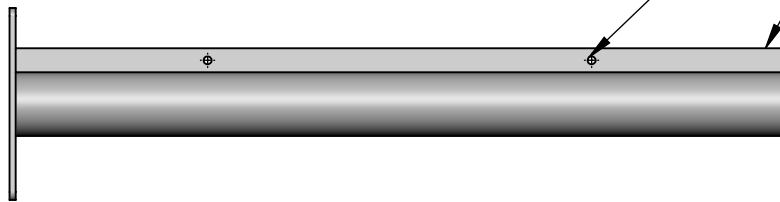
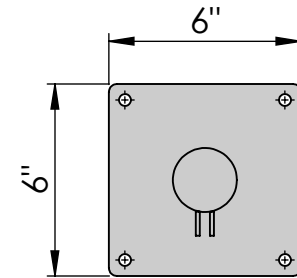
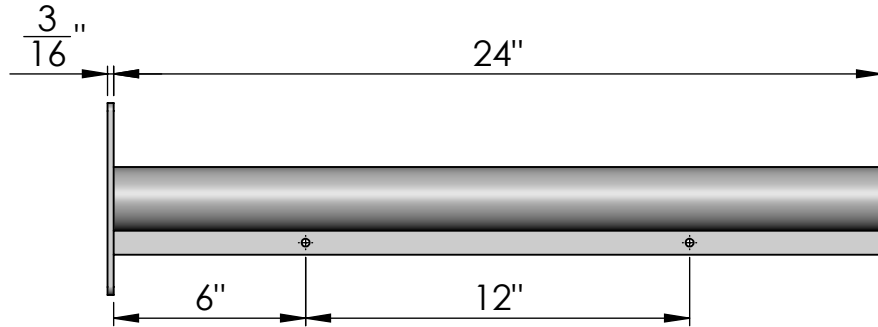
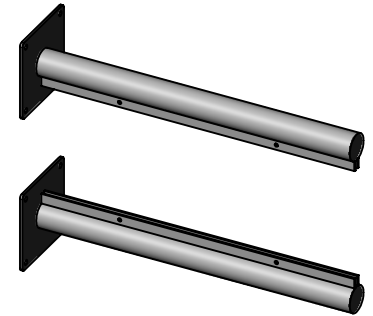
Design by Sign Bracket Store. All visual representations and designs are the intellectual property of Sign Bracket Store and protected under copyright law. Any duplication of this design is in direct violation of the law and will result in legal action.
 © Copyright 2008-2015



T: 888-919-7446

F: 760-603-0812

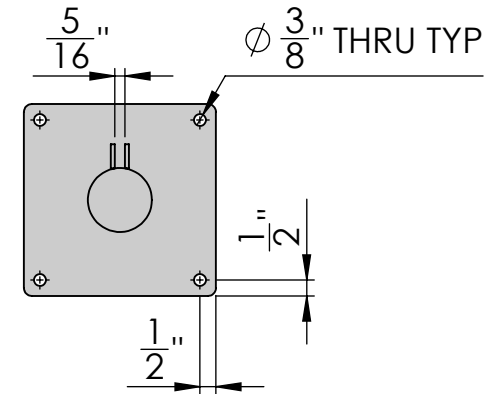
-FOR USE WITH 1/4" THICK SIGNS
-AVAILABLE IN TEXTURED BLACK OR SILVER



2X ϕ 1/4" SET SCREW
PER BRACKET ARM

3/4" x 1/8" STEEL
FLAT BAR
5/16" CHANNEL GAP

ϕ 2" STEEL
ROUND TUBE



FRONT VIEW

SIDE VIEW

Date: 07/2015
 Scale: NTS
 DB: CF
 CB:
 Order#:

Content: 24" Redondo Channel Sign Bracket
 PN: 388B-24-1-4
 Color/Finish: Textured Black or Silver Powder Coat
 Customer Approval: _____

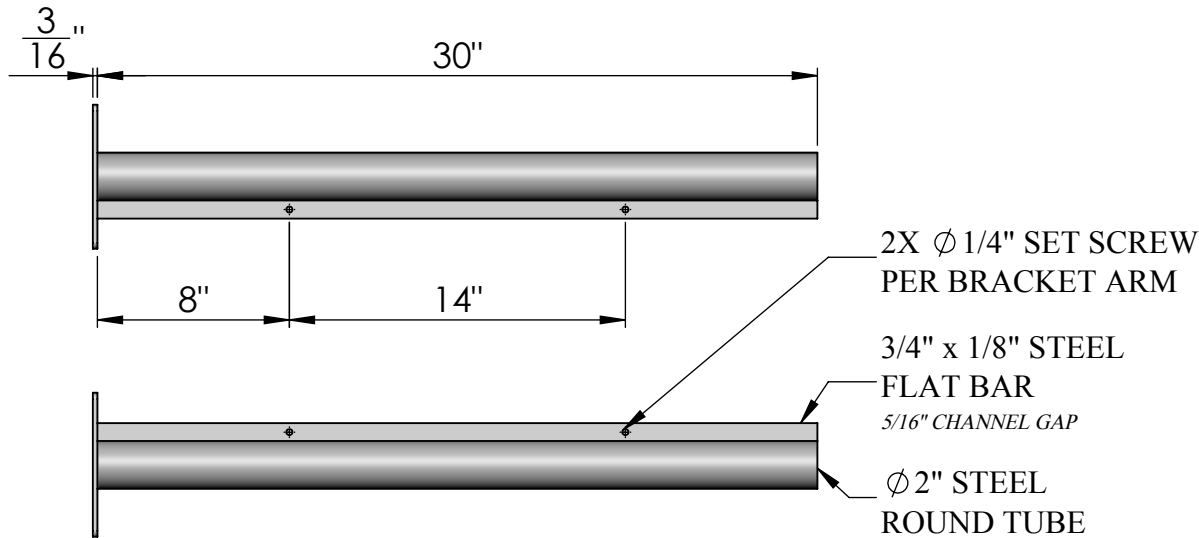
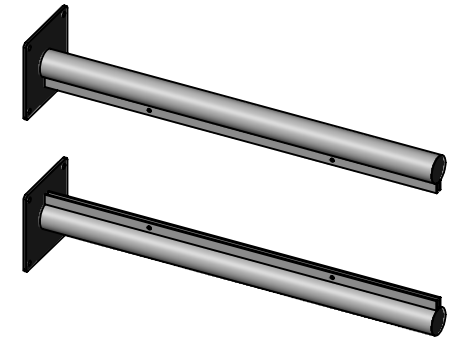
Design by Sign Bracket Store. All visual representations and designs are the intellectual property of Sign Bracket Store and protected under copyright law. Any duplication of this design is in direct violation of the law and will result in legal action.
 © Copyright 2008-2015



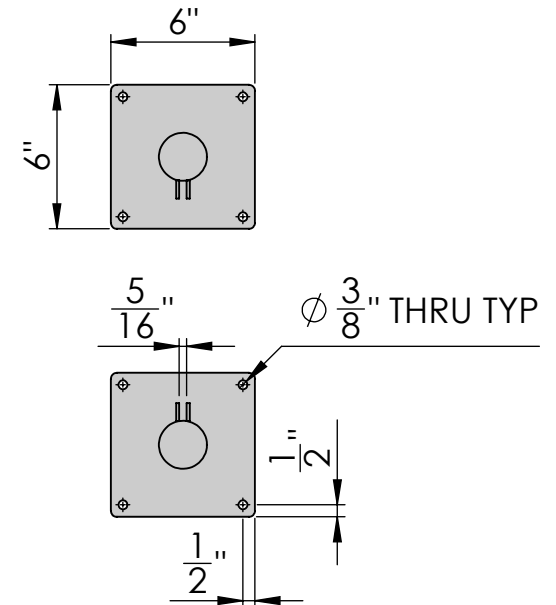
T: 888-919-7446

F: 760-603-0812

-FOR USE WITH 1/4" THICK SIGNS
-AVAILABLE IN TEXTURED BLACK OR SILVER



FRONT VIEW



SIDE VIEW

Date: 07/2015
 Scale: NTS
 DB: CF
 CB:
 Order#:

Content: 30" Redondo Channel Sign Bracket
 PN: 388B-30-1-4
 Color/Finish: Textured Black or Silver Powder Coat
 Customer Approval: _____

Design by Sign Bracket Store. All visual representations and designs are the intellectual property of Sign Bracket Store and protected under copyright law. Any duplication of this design is in direct violation of the law and will result in legal action.
 © Copyright 2008-2015



T: 888-919-7446

F: 760-603-0812