

**Hardware Included:**

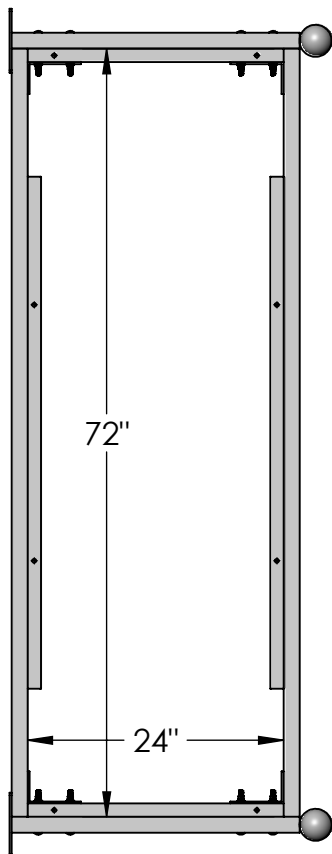
(8) 5/16"-18 x 4"L Zinc Coated Carriage Bolt

(8) 5/16"-18 Zinc Coated Hex Nut

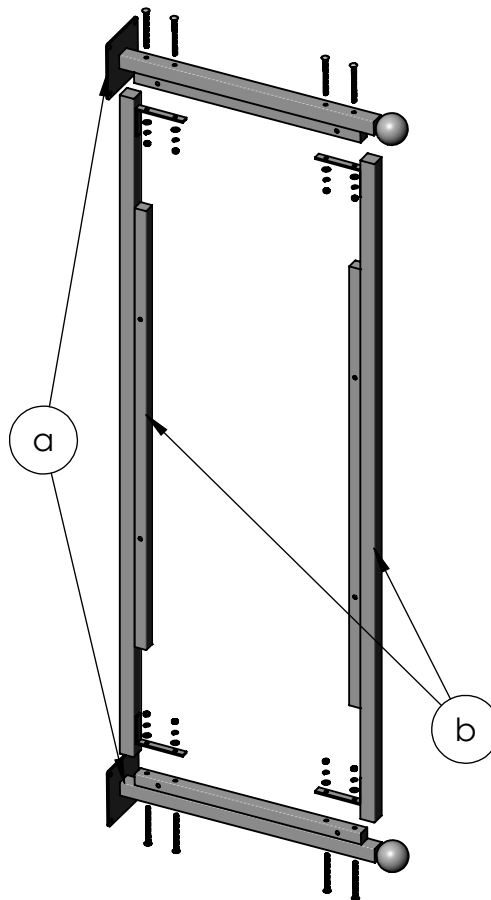
(8) 5/16" Lock Washer

(8) 5/16" Flat Washer

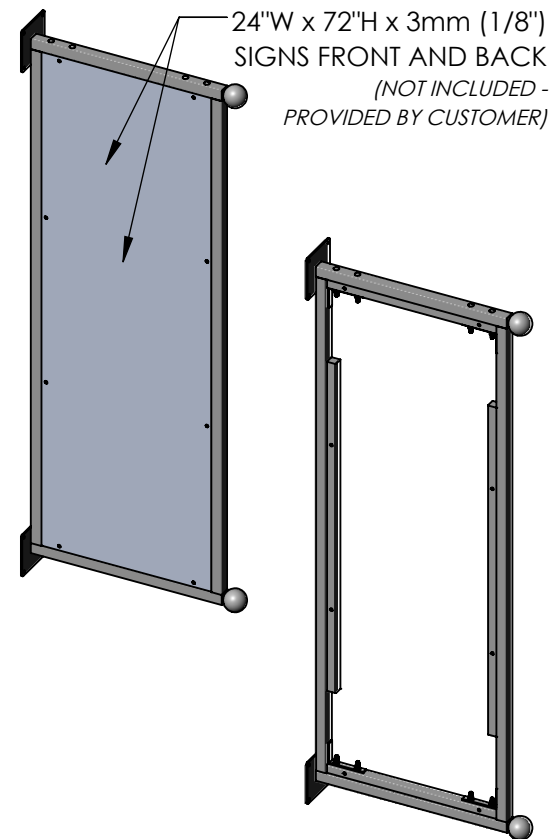
REVISIONS			
REV.	DESCRIPTION	DATE	CB
A	ORIGINAL DRAWING	11/11/2015	CF
B	UPDATED SIGN THICKNESS TO 3MM	12/30/2015	CF



**FRONT VIEW**



**EXPLODED VIEW**



Material: STEEL

Scale: NTS  
DB: CF  
Rev: B  
Order#:

Content: Bel Alto Framed Sign Bracket - 24"W x 72"H Signs  
PN: 400B-WM-2472  
Color/Finish: Textured Black Powder Coat

Customer Approval: \_\_\_\_\_

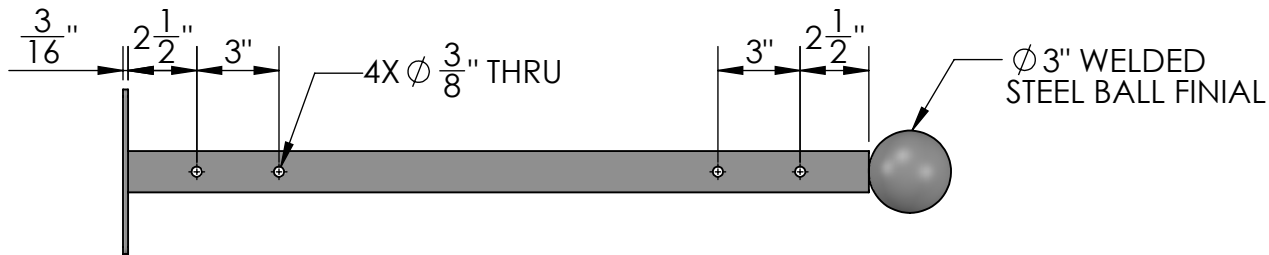
Design by Sign Bracket Store. All visual representations and designs are the intellectual property of Sign Bracket Store and protected under copyright law. Any duplication of this design is in direct violation of the law and will result in legal action.

© Copyright 2008-2015

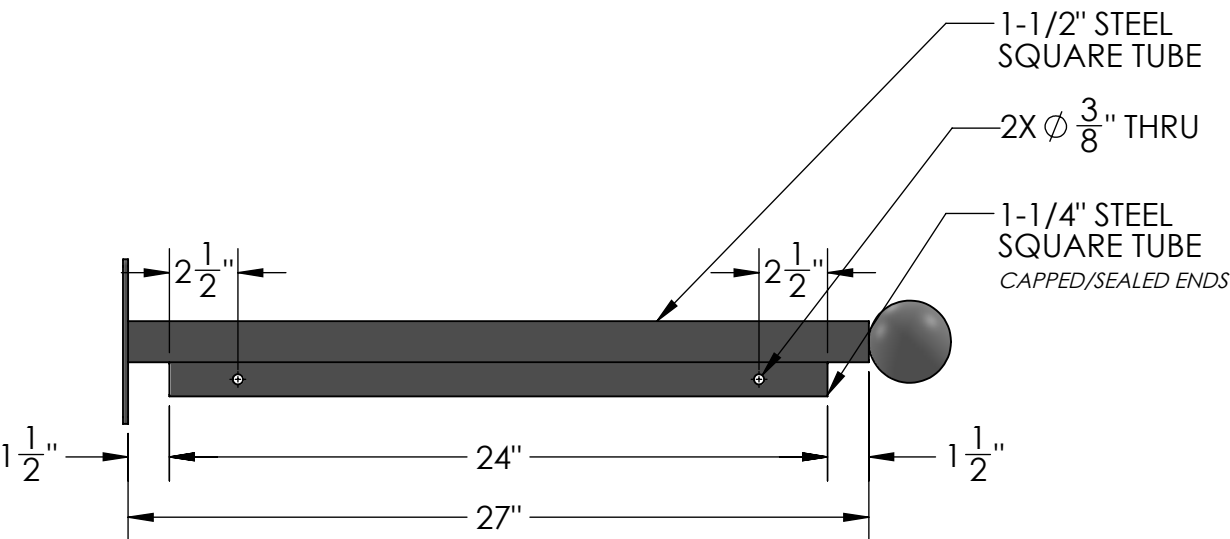


T: 888-919-7446

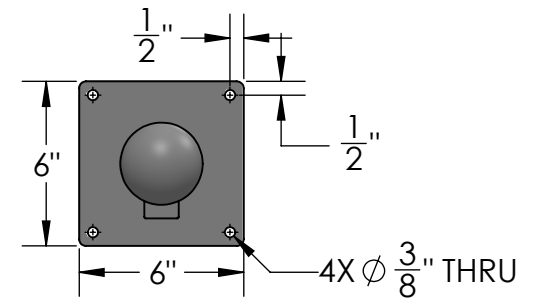
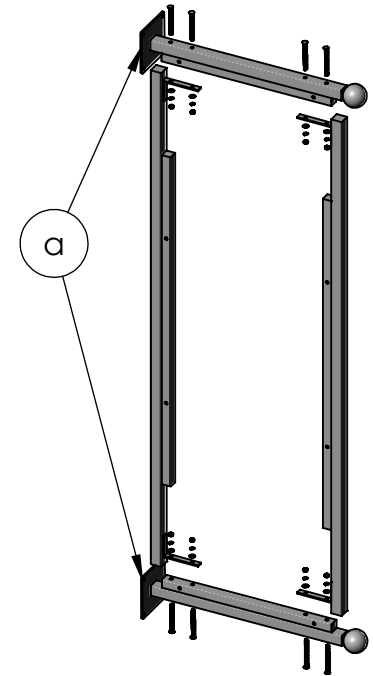
F: 760-603-0812



**TOP VIEW**



**FRONT VIEW**



**SIDE VIEW**

Material:  
STEEL

Scale: NTS  
DB: CF  
Rev: B  
Order#:

Content: Bel Alto Framed Sign Bracket - 24"W x 72"H Signs

PN: 400B-WM-2472 (a)

Color/Finish: Textured Black Powder Coat

Customer Approval: \_\_\_\_\_

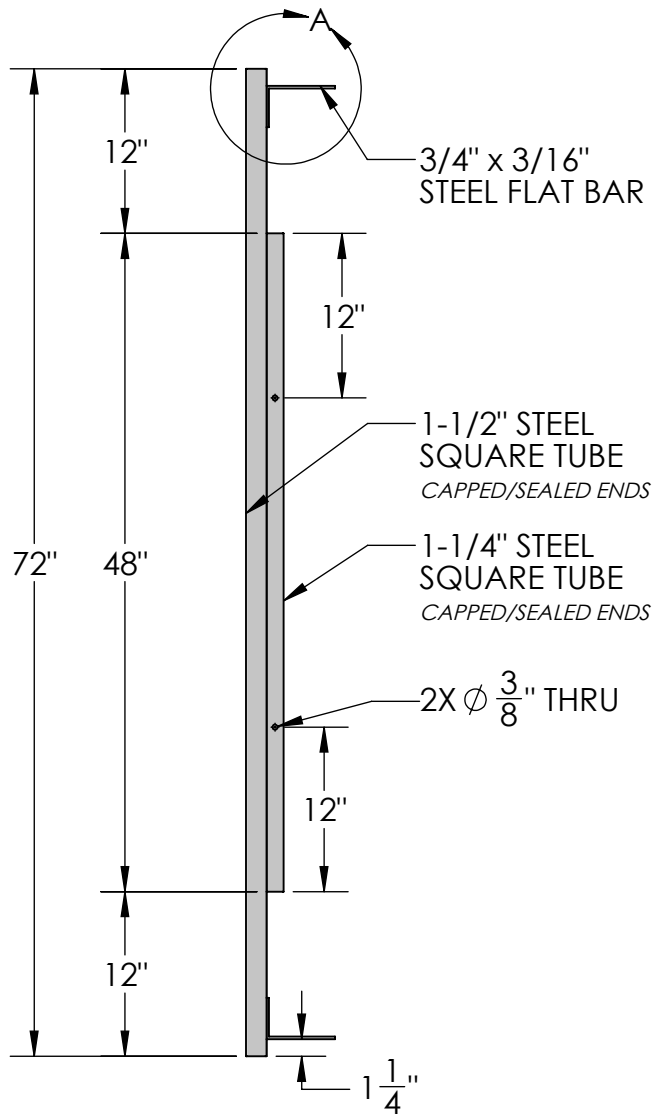
Design by Sign Bracket Store. All visual representations and designs are the intellectual property of Sign Bracket Store and protected under copyright law. Any duplication of this design is in direct violation of the law and will result in legal action.

© Copyright 2008-2015

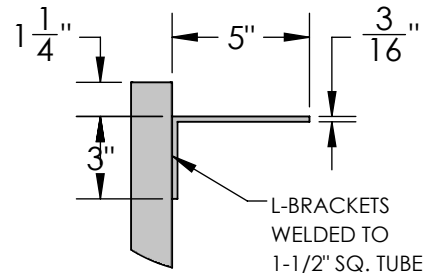
**SIGN BRACKET STORE**  
By Hooks & Lattice  SignBracketStore.com

T: 888-919-7446

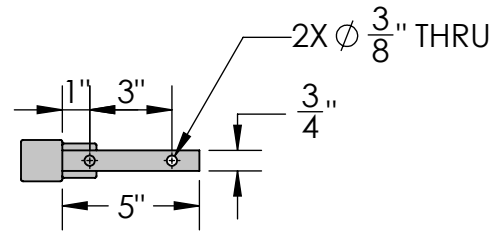
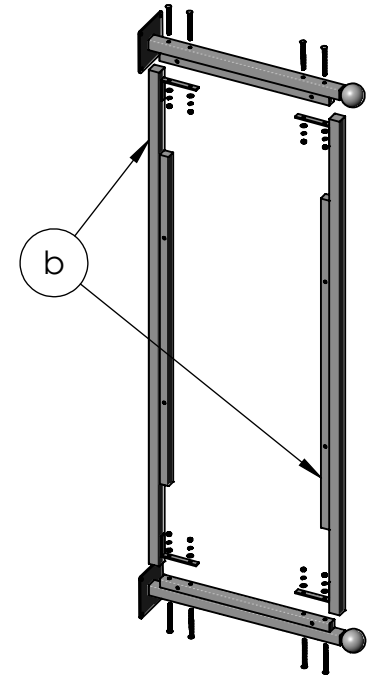
F: 760-603-0812



**FRONT VIEW**



DETAIL A  
SCALE 1 : 7



**TOP/BOTTOM VIEW**

Material: STEEL

Scale: NTS  
DB: CF  
Rev: B  
Order#:

Content: Bel Alto Framed Sign Bracket - 24"W x 72"H Signs

PN: 400B-WM-2472 (b)

Color/Finish: Textured Black Powder Coat

Customer Approval: \_\_\_\_\_

Design by Sign Bracket Store. All visual representations and designs are the intellectual property of Sign Bracket Store and protected under copyright law. Any duplication of this design is in direct violation of the law and will result in legal action.

© Copyright 2008-2015

**SIGN BRACKET STORE**  
By Hooks & Lattice [SignBracketStore.com](http://SignBracketStore.com)

T: 888-919-7446

F: 760-603-0812