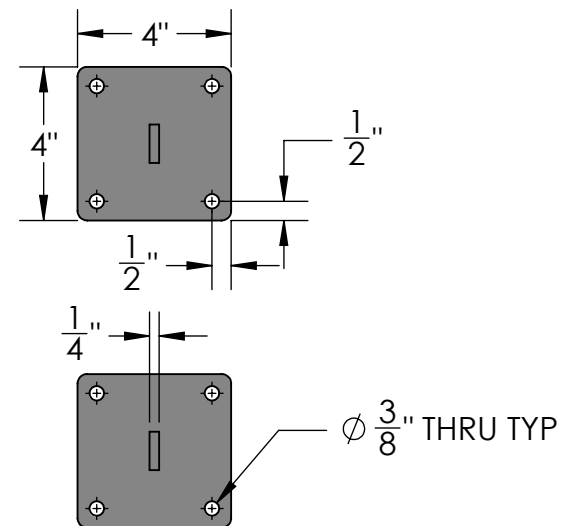


FRONT VIEW



RIGHT VIEW

Material:
Steel

Scale: 1:5
DB: CF
Rev: A
Order#:

Content: 10" Parallela Fixed Mount Sign Bracket

PN: 402B-10

Color/Finish: Textured Black Powder Coat

Customer Approval: _____

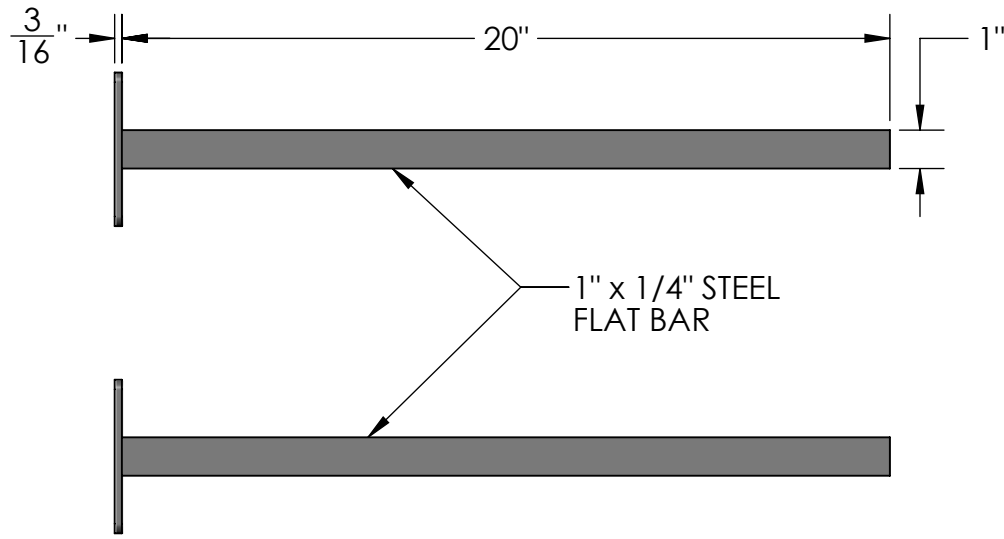
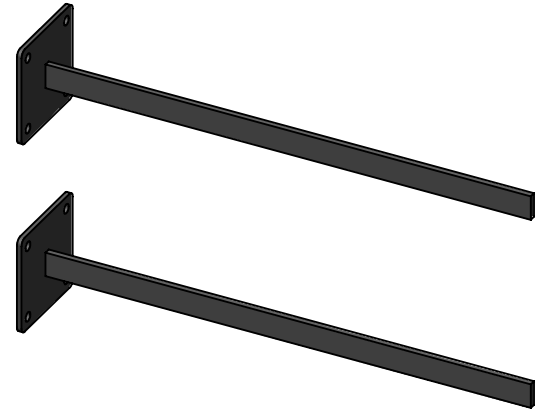
Design by Sign Bracket Store. All visual representations and designs are the intellectual property of Sign Bracket Store and protected under copyright law. Any duplication of this design is in direct violation of the law and will result in legal action.

© Copyright 2008-2016

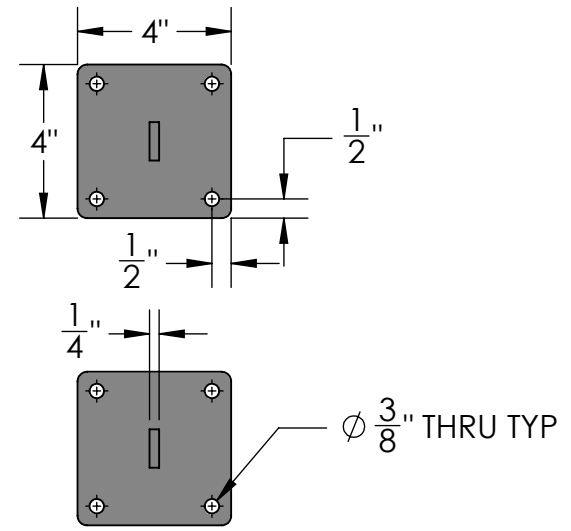


T: 888-919-7446


F: 760-603-0812

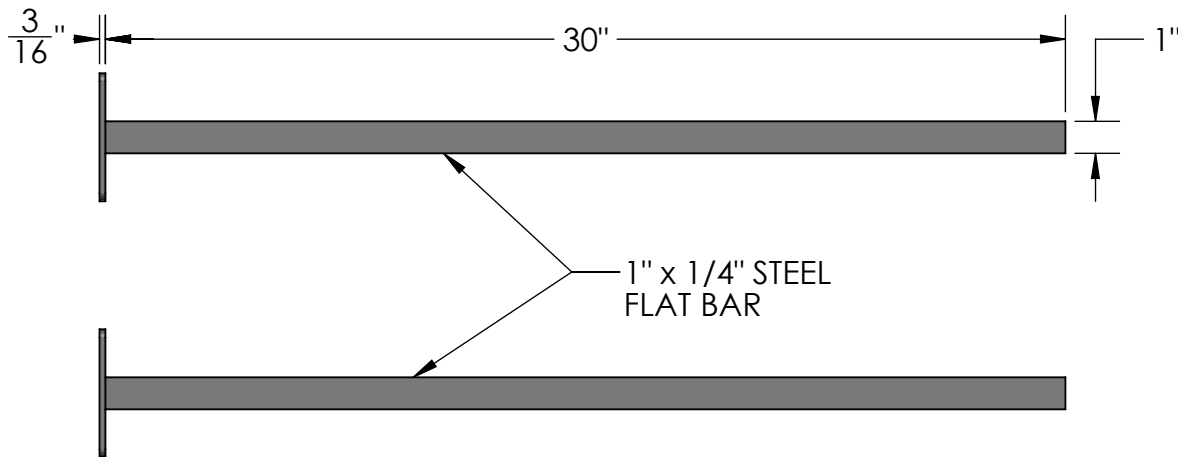
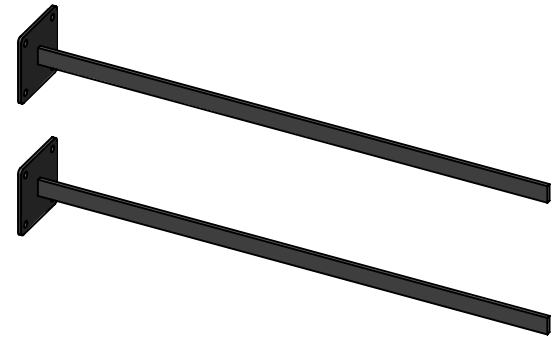


FRONT VIEW

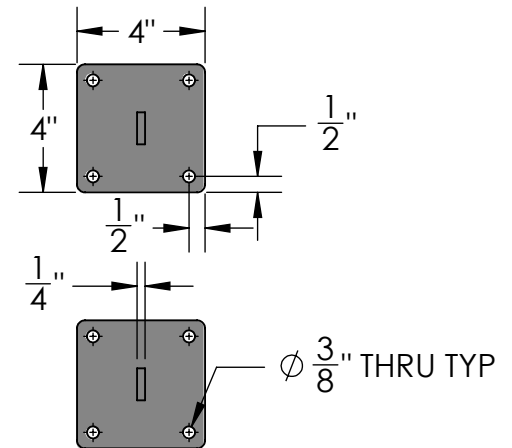


RIGHT VIEW

Material: Steel	Content: 20" Paralela Fixed Mount Sign Bracket PN: 402B-20	Design by Sign Bracket Store. All visual representations and designs are the intellectual property of Sign Bracket Store and protected under copyright law. Any duplication of this design is in direct violation of the law and will result in legal action. © Copyright 2008-2016	 T: 888-919-7446 F: 760-603-0812
Scale: 1:5 DB: CF Rev: A	Color/Finish: Textured Black Powder Coat		
Order#:	Customer Approval: _____		



FRONT VIEW



RIGHT VIEW

Material:
Steel

Scale: 1:6
DB: CF
Rev: A
Order#:

Content: 30" Parallela Fixed Mount Sign Bracket

PN: 402B-30

Color/Finish: Textured Black Powder Coat

Customer Approval: _____

Design by Sign Bracket Store. All visual representations and designs are the intellectual property of Sign Bracket Store and protected under copyright law. Any duplication of this design is in direct violation of the law and will result in legal action.

© Copyright 2008-2016



T: 888-919-7446

F: 760-603-0812