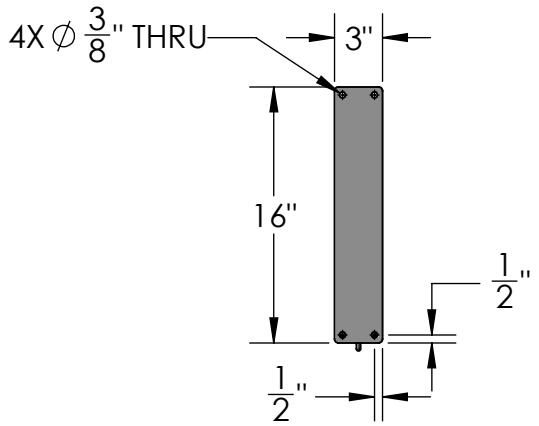
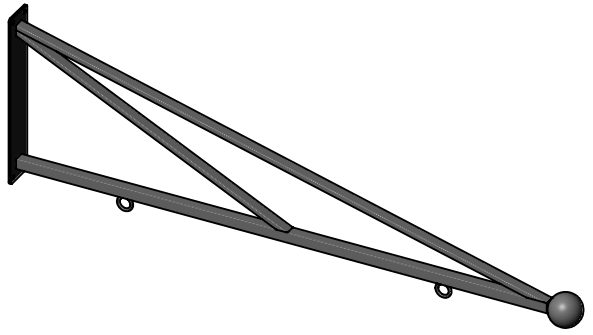
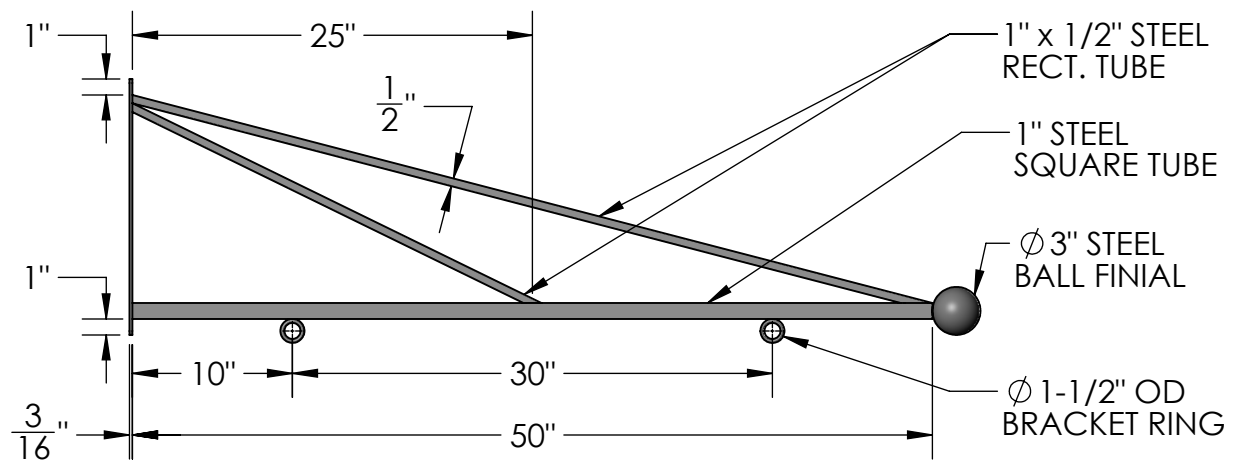


REVISIONS			
REV.	DESCRIPTION	DATE	CB
A	ORIGINAL DRAWING	3/17/2016	CF



SIDE VIEW



FRONT VIEW

Material: Steel

Scale: 1:12

DB: CF

Rev: A

Sheet: 1 of 1

Content: 50" Triangle Truss Hanging Sign Bracket

PN: 405B-50


Color/Finish: Textured Black Powder Coat

Customer Approval: _____

Design by Sign Bracket Store. All visual representations and designs are the intellectual property of Sign Bracket Store and protected under copyright law. Any duplication of this design is in direct violation of the law and will result in legal action.

© Copyright 2008-2016

SIGN BRACKET STORE

By Hooks & Lattice  SignBracketStore.com

T: 888-919-7446 F: 760-603-0812