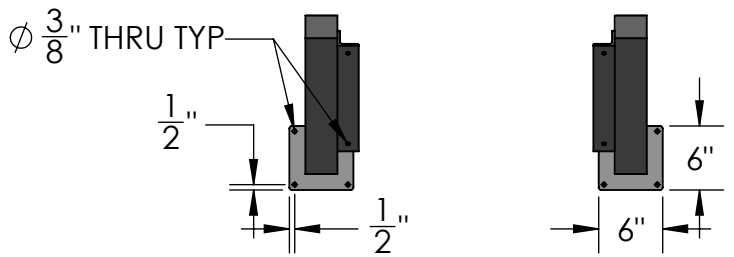
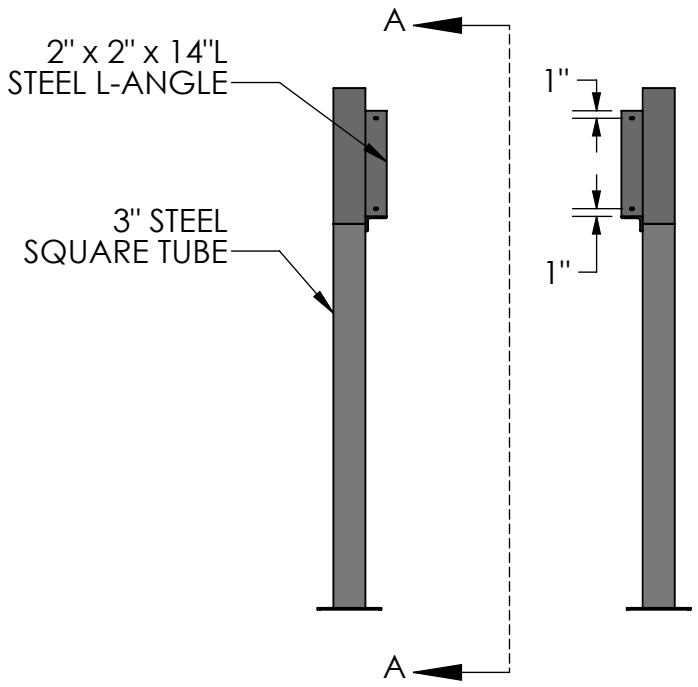


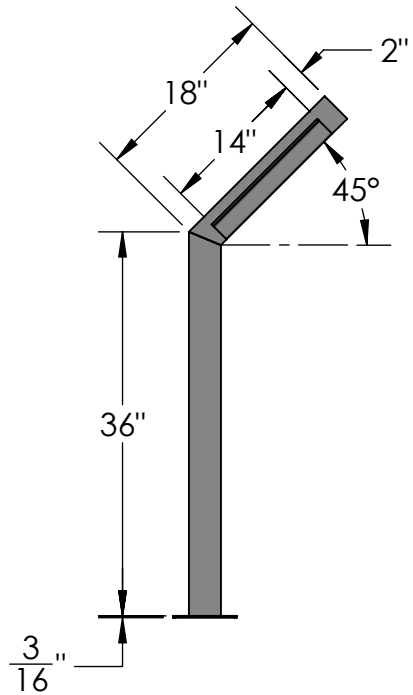
REVISIONS			
REV.	DESCRIPTION	DATE	CB
A	ORIGINAL DRAWING	2/1/2016	CF



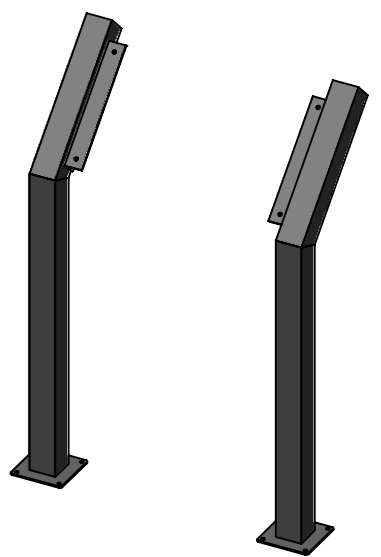
**TOP VIEW**



**FRONT VIEW**




**SECTION A-A**



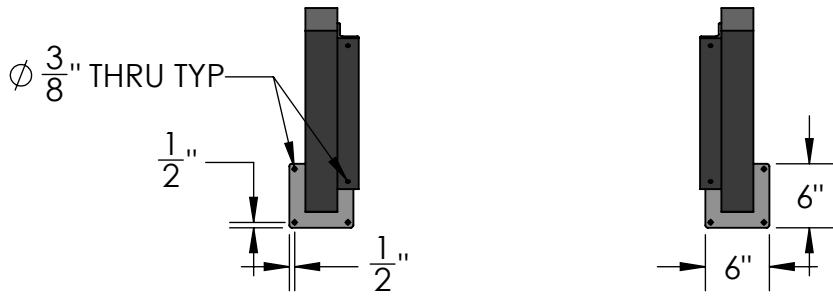
Material: **Steel**  
 Scale: 1:18  
 DB: CF  
 Rev: A  
 Order#:

Content: You-Are-Here Post & Panel System - 18"H Sign  
 PN: 407B-18  
 Color/Finish: Textured Black Powder Coat  
 Customer Approval: \_\_\_\_\_

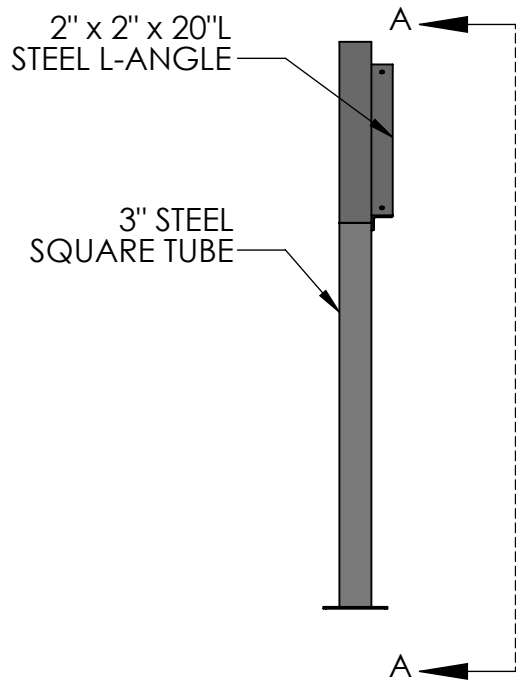
Design by Sign Bracket Store. All visual representations and designs are the intellectual property of Sign Bracket Store and protected under copyright law. Any duplication of this design is in direct violation of the law and will result in legal action.  
 © Copyright 2008-2016

**SIGN BRACKET STORE**  
 By Hooks & Lattice  SignBracketStore.com  
 T: 888-919-7446 F: 760-603-0812

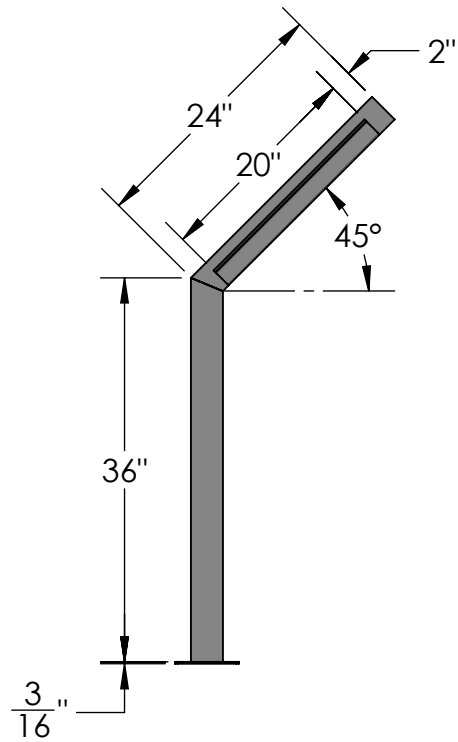
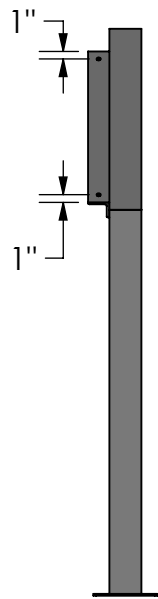
REVISIONS			
REV.	DESCRIPTION	DATE	CB
A	ORIGINAL DRAWING	2/1/2016	CF



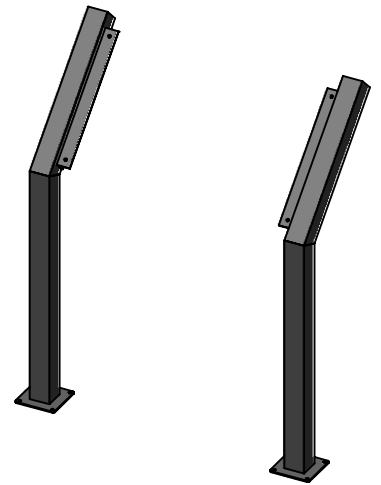
**TOP VIEW**



**FRONT VIEW**



SECTION A-A



Material:  
Steel

Scale: 1:18  
DB: ZB  
Rev: A  
Order#:

Content: You-Are-Here Post & Panel System - 24"H Sign

PN: 407B-24

Color/Finish: Textured Black Powder Coat

Customer Approval: \_\_\_\_\_

Design by Sign Bracket Store. All visual representations and designs are the intellectual property of Sign Bracket Store and protected under copyright law. Any duplication of this design is in direct violation of the law and will result in legal action.

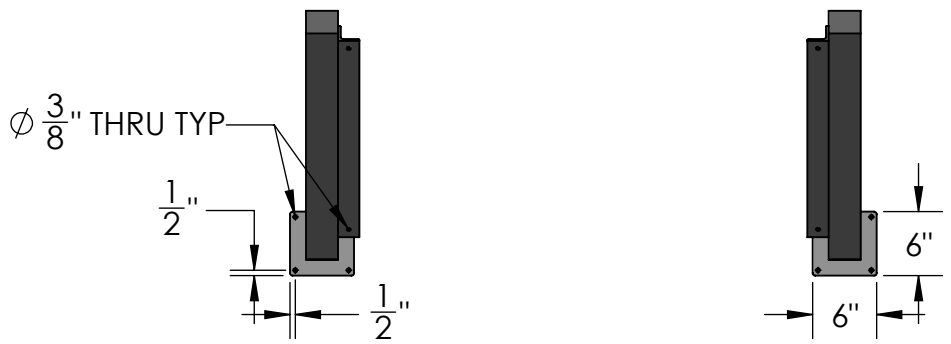
© Copyright 2008-2016



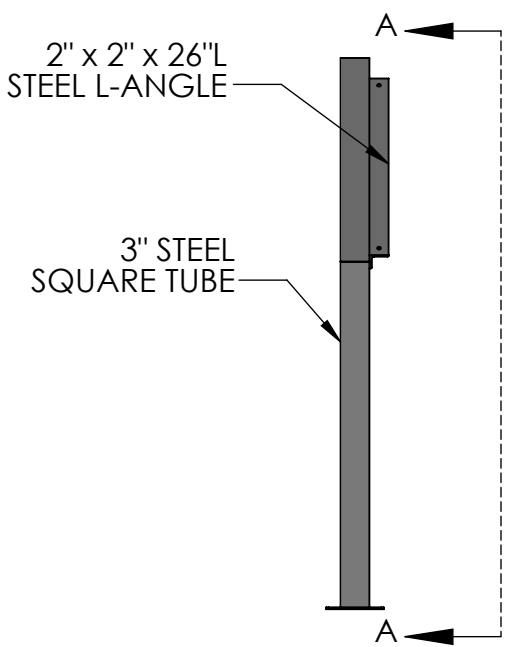
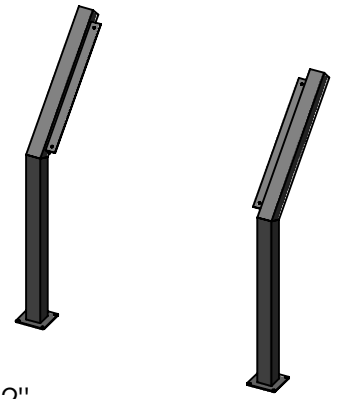
T: 888-919-7446

F: 760-603-0812

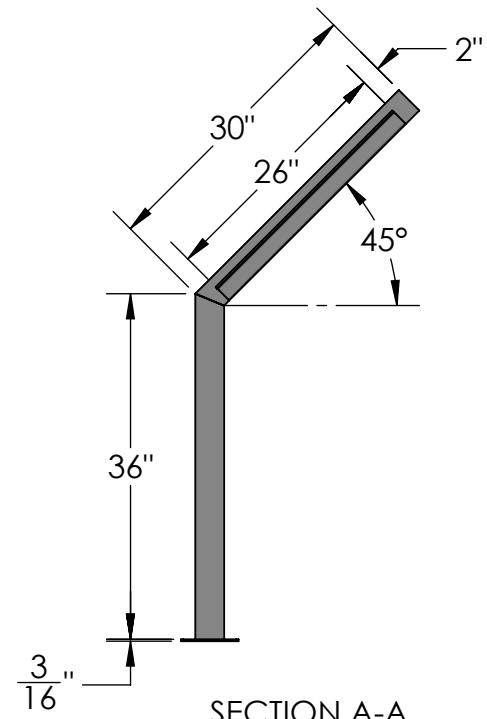
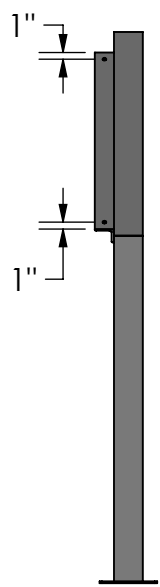
REVISIONS			
REV.	DESCRIPTION	DATE	CB
A	ORIGINAL DRAWING	2/1/2016	CF



**TOP VIEW**



**FRONT VIEW**



Material: **Steel**  
 Scale: 1:20  
 DB: ZB  
 Rev: A  
 Order#:

Content: You-Are-Here Post & Panel System - 30"H Sign  
 PN: 407B-30  
 Color/Finish: Textured Black Powder Coat  
 Customer Approval: \_\_\_\_\_

Design by Sign Bracket Store. All visual representations and designs are the intellectual property of Sign Bracket Store and protected under copyright law. Any duplication of this design is in direct violation of the law and will result in legal action.  
 © Copyright 2008-2016

**SIGN BRACKET STORE**  
 By Hooks & Lattice SignBracketStore.com  
 T: 888-919-7446 F: 760-603-0812