

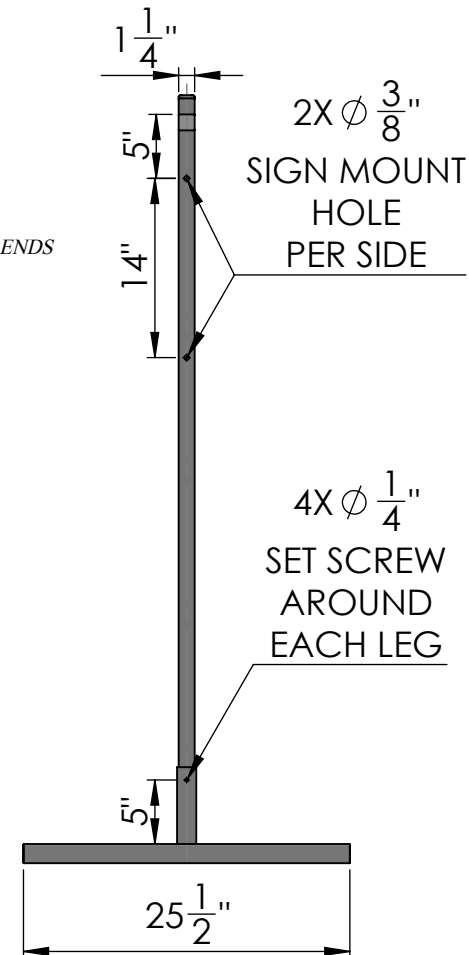
FRONT VIEW

1-1/4" x 3/16"
STEEL FLAT BAR

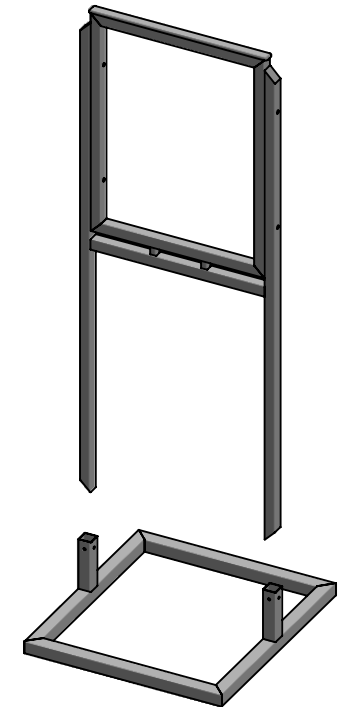
FRAME:
1-1/4" STEEL
SQUARE TUBE
OUTER TUBE: 45° ANGLED ENDS

STANDOFFS:
1" STEEL
SQUARE TUBE

BASE:
1-1/2" STEEL
SQUARE TUBE



SIDE VIEW



Date: 05/2015
Scale: NTS
CB:
Order#:

Content: Contemporary Steel Sign Holder
PN: 321B-2160-2522
Color/Finish: Textured Black Powder Coat
Customer Approval: _____

Design by Sign Bracket Store. All visual representations and designs are the intellectual property of Sign Bracket Store and protected under copyright law. Any duplication of this design is in direct violation of the law and will result in legal action.
© Copyright 2008-2015



T: 888-919-7446

F: 760-603-0812