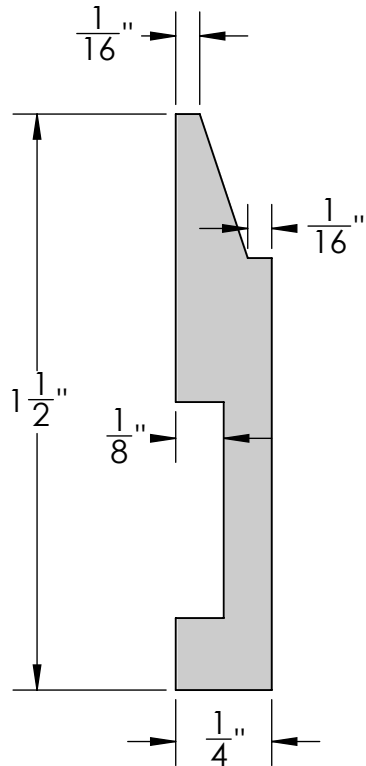
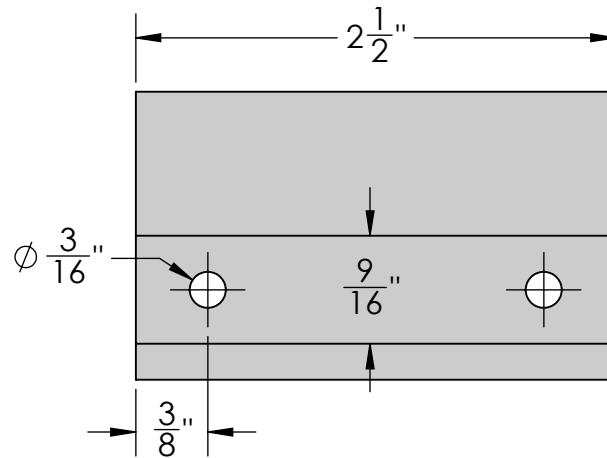


NOTES:

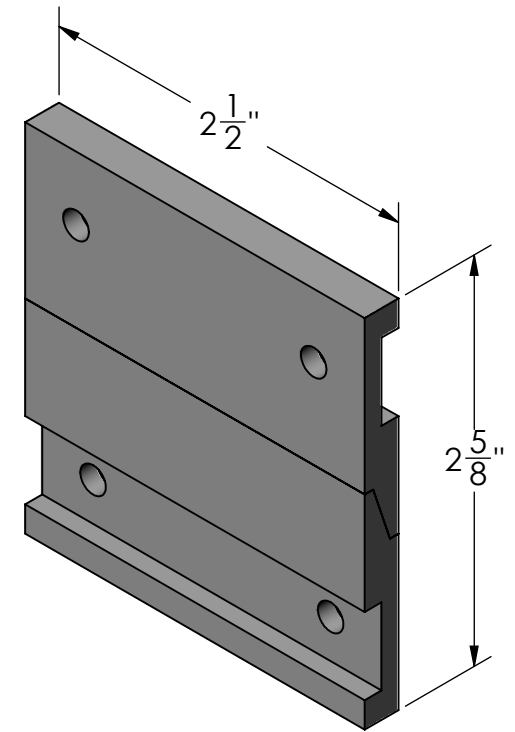
1. Available in lengths from 2 1/2" to 8'



DETAIL PROFILE



DETAIL FRONT



DETAIL ENGAGED PERSPECTIVE

Material:
Aluminum

Scale: 1:1
DB: ZB
Rev: A
Sheet: 1 of 1

Content: Medium Duty Cleat

PN: CH-14

Color/Finish:

Customer Approval: _____

Design by Sign Bracket Store. All visual representations and designs are the intellectual property of Sign Bracket Store and protected under copyright law. Any duplication of this design is in direct violation of the law and will result in legal action.

© Copyright 2008-2017



SIGN BRACKET STORE

T: 888-919-7446

F: 760-603-0812