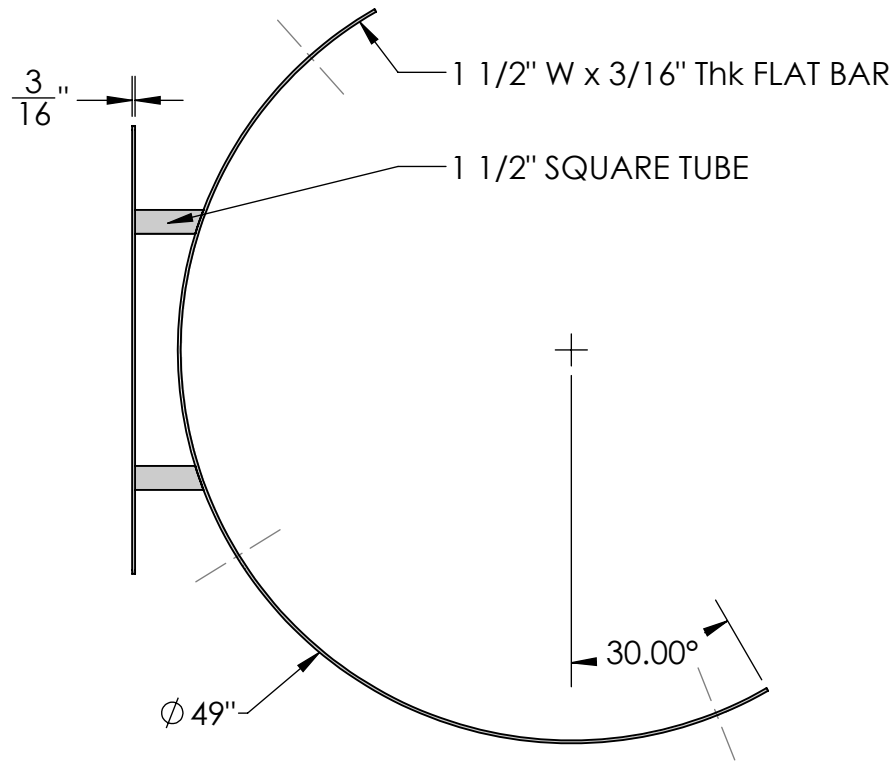


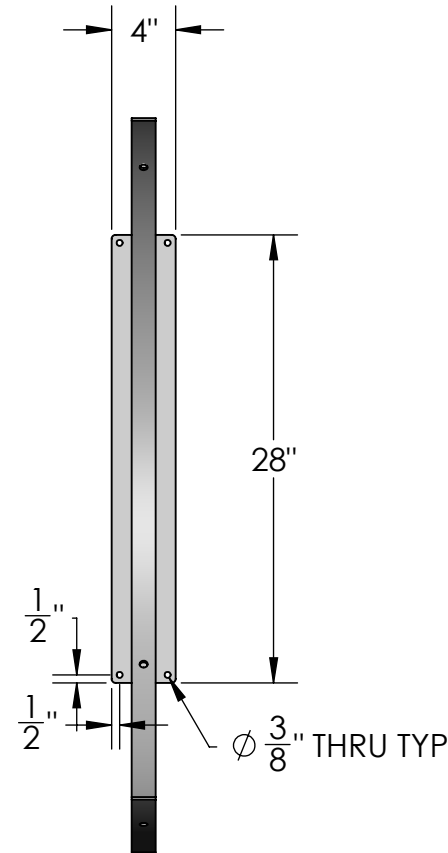
**NOTES:**

**1. (3)  $\phi$  1/2" SIGN MOUNTING HOLES EVENLY SPACED AROUND FRAME**

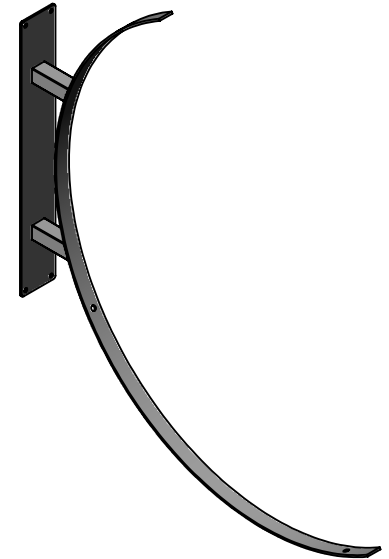
REVISIONS			
REV.	DESCRIPTION	DATE	CB
A	ORIGINAL DRAWING	12/12/2016	ZB



**FRONT VIEW**



**SIDE VIEW**



Material:  
Steel

Scale: 1:12  
DB: ZB  
Rev: A  
Sheet: 1 of 1

Content: Eclipse 46" Sign Bracket  
PN: 406B-46  
Color/Finish: Textured Black Powder Coat  
Customer Approval: \_\_\_\_\_

Design by Sign Bracket Store. All visual representations and designs are the intellectual property of Sign Bracket Store and protected under copyright law. Any duplication of this design is in direct violation of the law and will result in legal action.

© Copyright 2008-2017

 **SIGN BRACKET STORE**

T: 888-919-7446

F: 760-603-0812