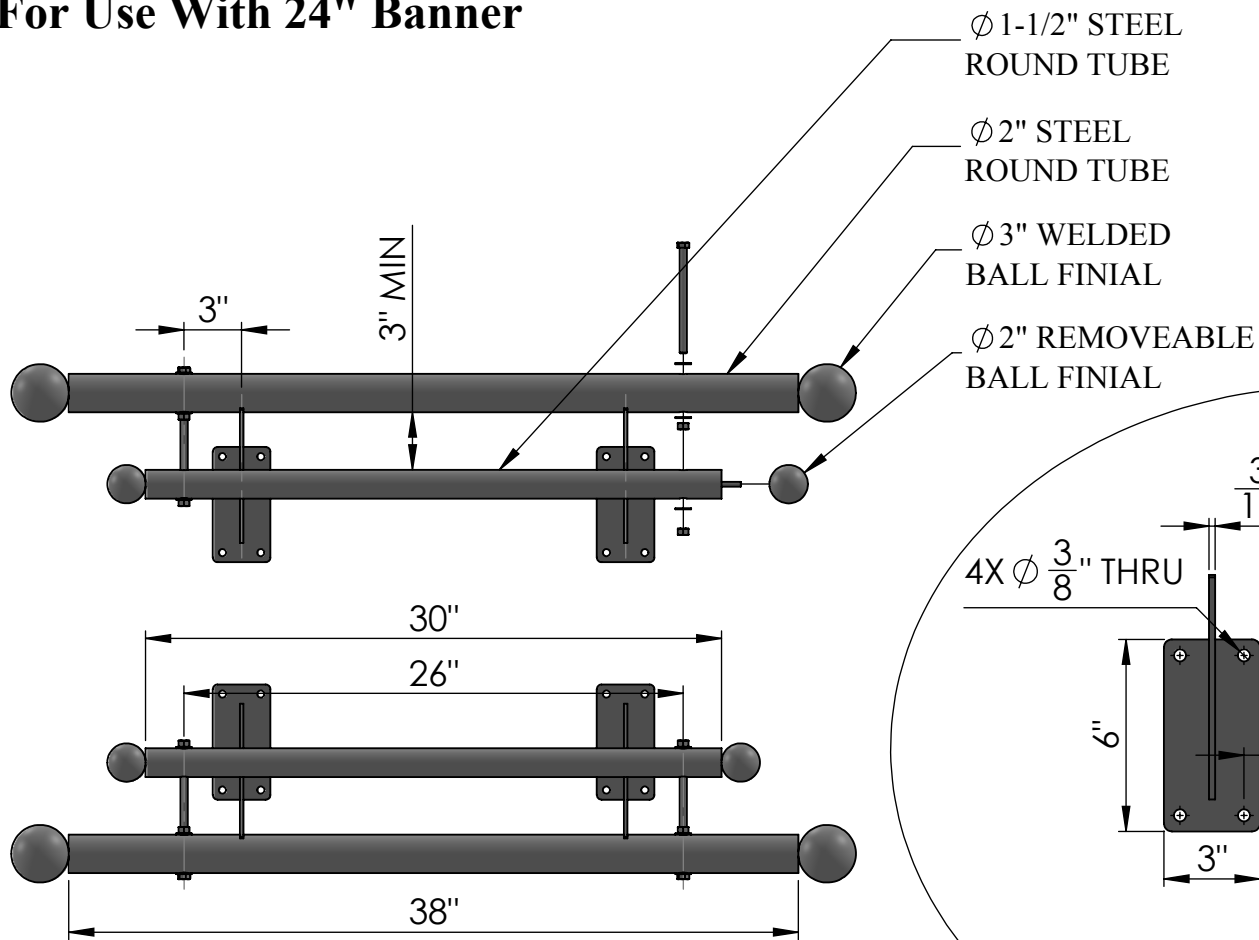
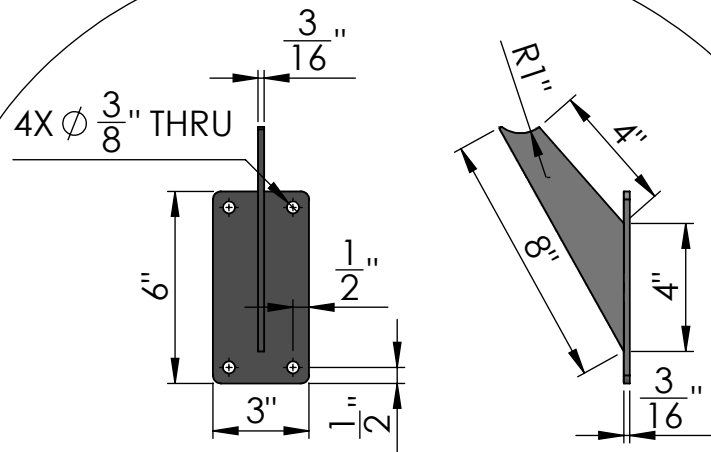
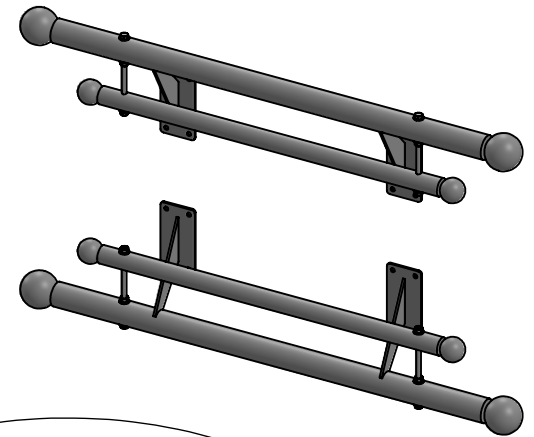


**For Use With 24" Banner**



**FRONT VIEW**

- Ø 1-1/2" STEEL ROUND TUBE
- Ø 2" STEEL ROUND TUBE
- Ø 3" WELDED BALL FINIAL
- Ø 2" REMOVEABLE BALL FINIAL



**FRONT VIEW**

**SIDE VIEW**

**WALL MOUNT**

Date: 06/2015  
 Scale: NTS  
 DB: CF  
 CB:  
 Order#:

Content: 24" Trapeze Banner Bracket, Flush Wall Mount  
 PN: 303B-FM-24  
 Color/Finish: Textured Black Powder Coat  
 Customer Approval: \_\_\_\_\_

Design by Sign Bracket Store. All visual representations and designs are the intellectual property of Sign Bracket Store and protected under copyright law. Any duplication of this design is in direct violation of the law and will result in legal action.  
 © Copyright 2008-2015



T: 888-919-7446

F: 760-603-0812