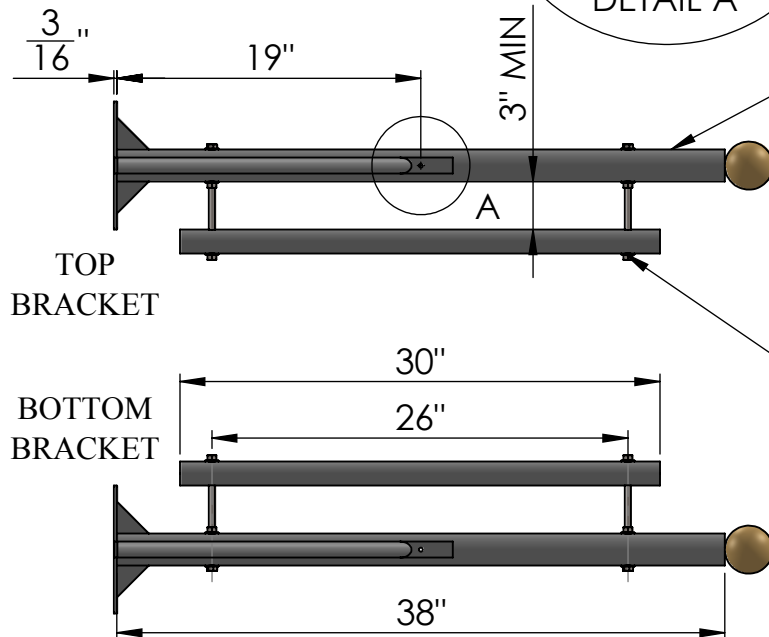
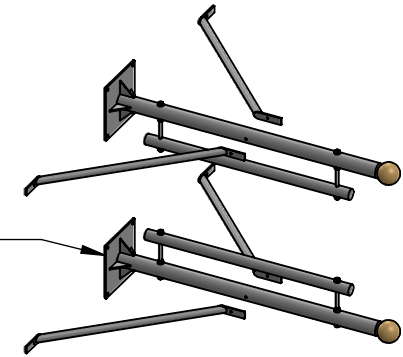
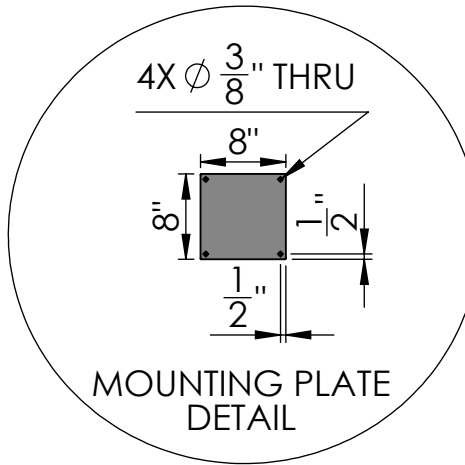
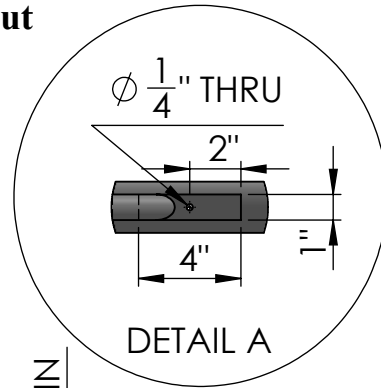


Hardware Included (PER ARM):

- (2) 5/16"-18 x 6"L Zinc Coated Carriage Bolt
- (6) 5/16"-18 Zinc Coated Hex Nut
- (6) 5/16" Lock Washer
- (6) 5/16" Flat Washer

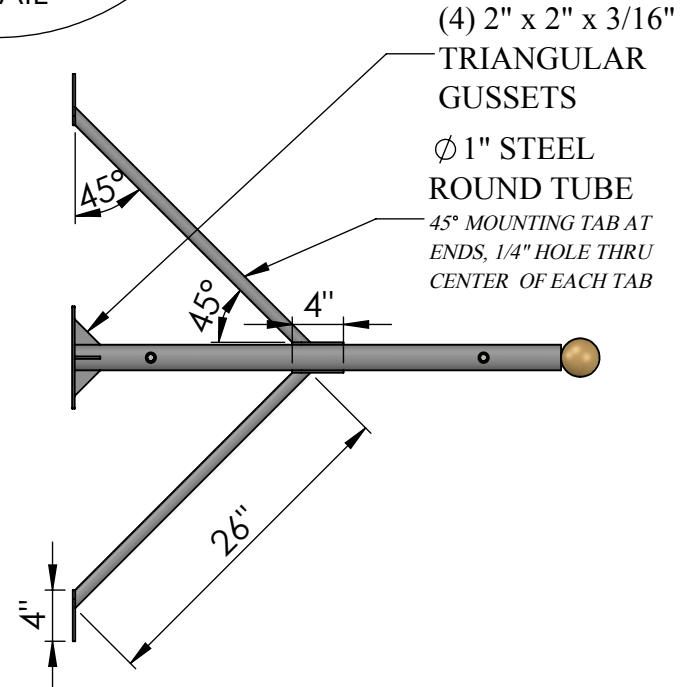


FRONT VIEW

Ø2" STEEL ROUND TUBE

Ø3" WELDED BALL FINIAL
GOLD PAINTED

Ø1-1/2" STEEL ROUND TUBE
CAPPED/SEALED ENDS



TOP VIEW

(4) 2" x 2" x 3/16"
TRIANGULAR GUSSETS

Ø1" STEEL ROUND TUBE

45° MOUNTING TAB AT ENDS, 1/4" HOLE THRU CENTER OF EACH TAB

Date: 09/2015
Scale: NTS
DB: CF
CB:
Order#:

Content: La Brisa HD Trapeze Banner Bracket for 24"W Banner
PN: 303B-WM-HD-24
Color/Finish: Texture Black or Silver Powder Coat
Customer Approval: _____

Design by Sign Bracket Store. All visual representations and designs are the intellectual property of Sign Bracket Store and protected under copyright law. Any duplication of this design is in direct violation of the law and will result in legal action.
© Copyright 2008-2015



T: 888-919-7446

F: 760-603-0812