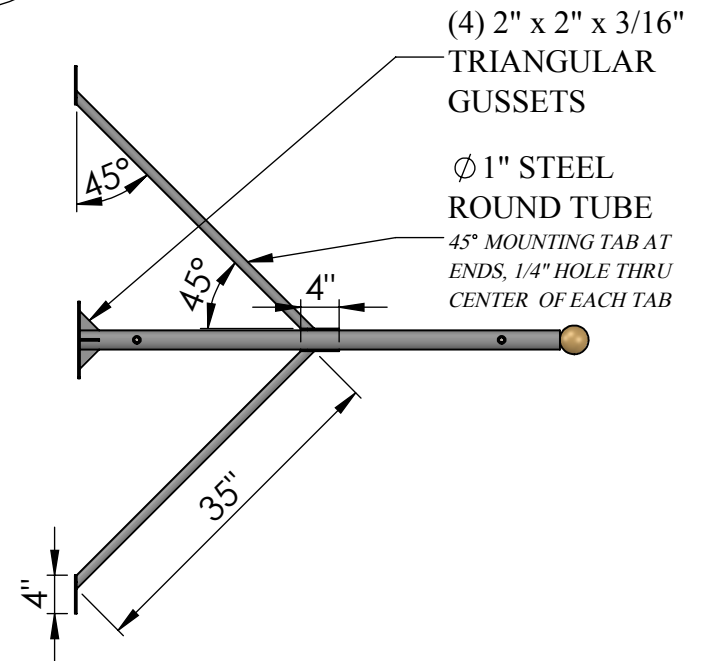
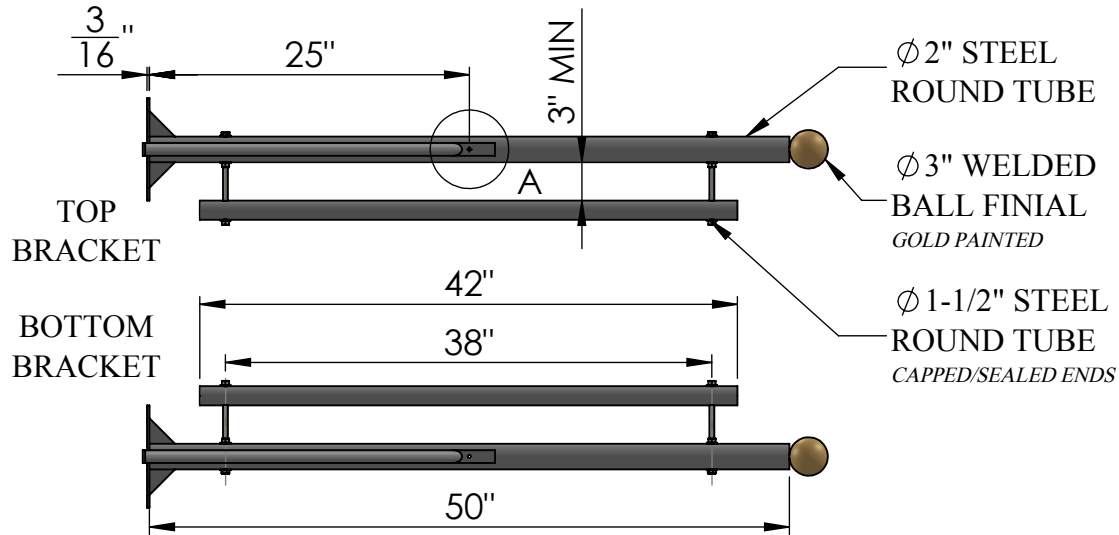
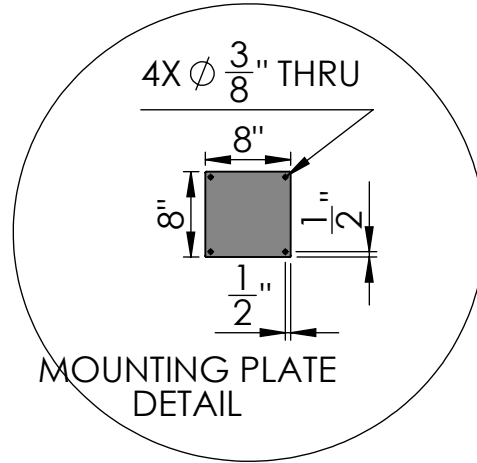
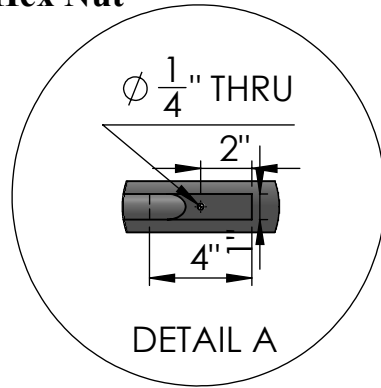


**Hardware Included (PER ARM):**

- (2) 5/16"-18 x 6"L Zinc Coated Carriage Bolt
- (6) 5/16"-18 Zinc Coated Hex Nut
- (6) 5/16" Lock Washer
- (6) 5/16" Flat Washer



Date: 09/2015  
 Scale: NTS  
 DB: CF  
 CB:  
 Order#:

Content: La Brisa HD Trapeze Banner Bracket for 36"W Banner  
 PN: 303B-WM-HD-36  
 Color/Finish: Texture Black or Silver Powder Coat  
 Customer Approval: \_\_\_\_\_

Design by Sign Bracket Store. All visual representations and designs are the intellectual property of Sign Bracket Store and protected under copyright law. Any duplication of this design is in direct violation of the law and will result in legal action.  
 © Copyright 2008-2015

**SIGN BRACKET STORE**  
 By Hooks & Lattice  [SignBracketStore.com](http://SignBracketStore.com)  
 T: 888-919-7446 F: 760-603-0812