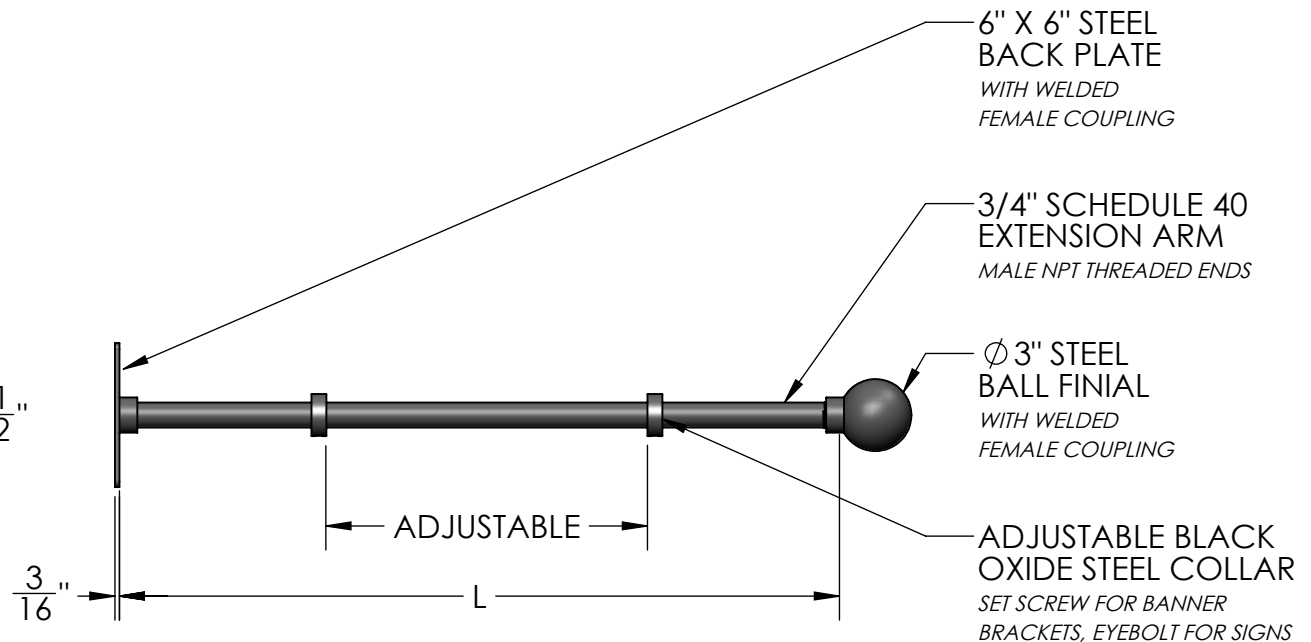


SIDE VIEW



FRONT VIEW

Material: **Steel**

Scale: NTS
DB: CF
Rev: A
Order#:

Content: Modular Wall Mount Banner Bracket Kit

PN: 404B-WM-XX-2C-BF

Color/Finish: Textured Black Powder Coat

Customer Approval: _____

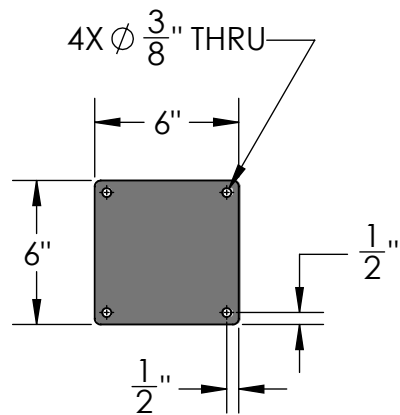
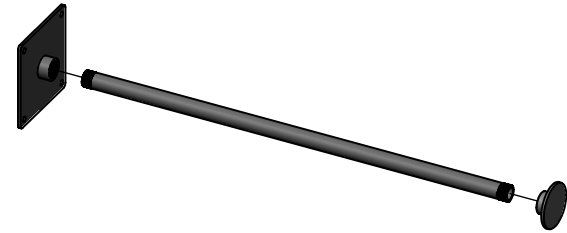
Design by Sign Bracket Store. All visual representations and designs are the intellectual property of Sign Bracket Store and protected under copyright law. Any duplication of this design is in direct violation of the law and will result in legal action.

© Copyright 2008-2016

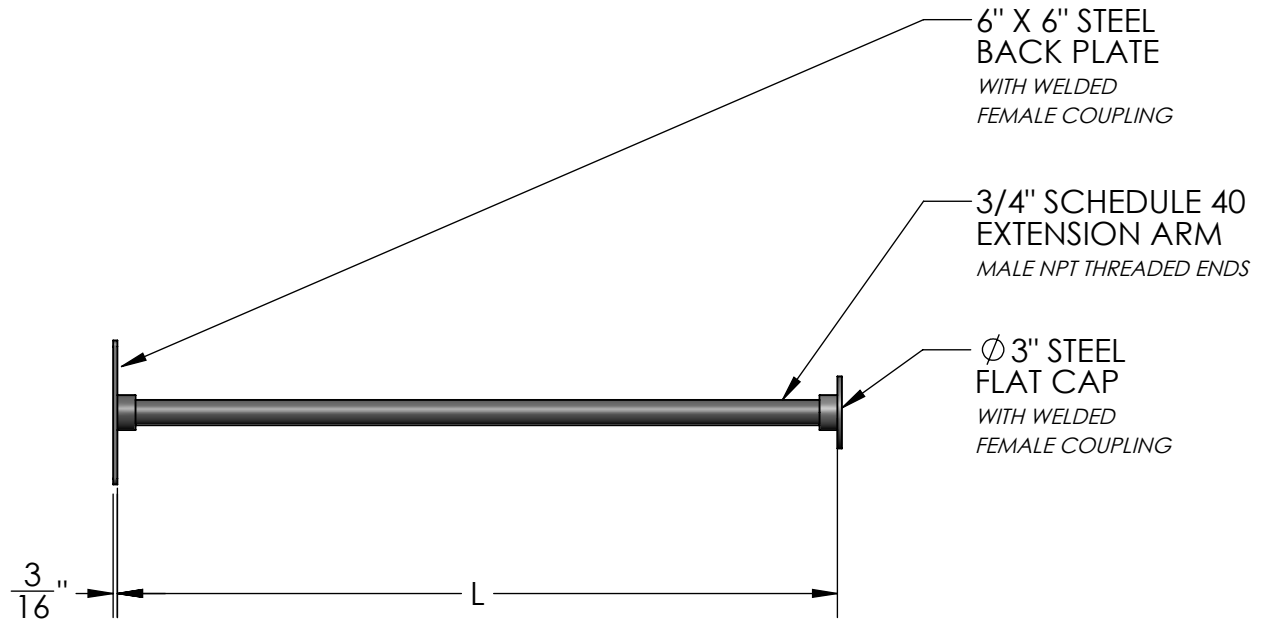


T: 888-919-7446

F: 760-603-0812



SIDE VIEW



FRONT VIEW

6" X 6" STEEL
BACK PLATE
WITH WELDED
FEMALE COUPLING

3/4" SCHEDULE 40
EXTENSION ARM
MALE NPT THREADED ENDS

Ø 3" STEEL
FLAT CAP
WITH WELDED
FEMALE COUPLING

Material:
Steel

Content: Modular Wall Mount Banner Bracket Kit

Design by Sign Bracket Store. All visual representations and designs are the intellectual property of Sign Bracket Store and protected under copyright law. Any duplication of this design is in direct violation of the law and will result in legal action.



Scale: NTS
DB: CF
Rev: A
Order#:

PN: 404B-WM-XX-NC-FC
Color/Finish: Textured Black Powder Coat

Customer Approval: _____

© Copyright 2008-2016

T: 888-919-7446

F: 760-603-0812