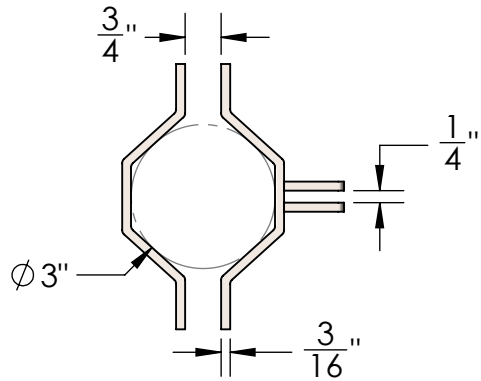


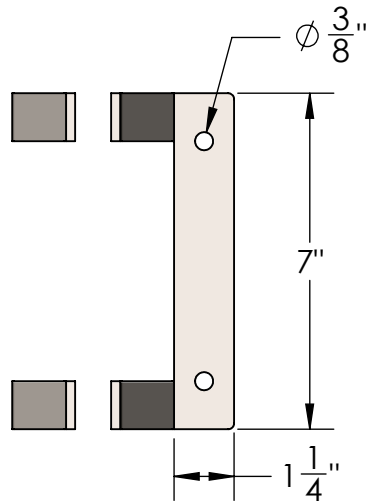
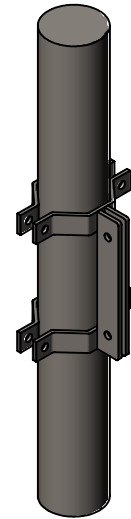
NOTES:

1.

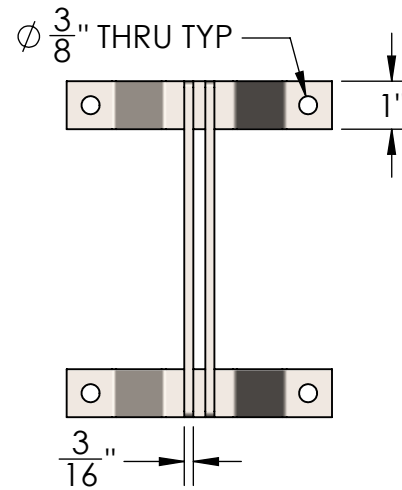
REVISIONS			
REV.	DESCRIPTION	DATE	CB



TOP VIEW



FRONT VIEW



RIGHT VIEW

Material: Steel

Scale: 1:4
DB: ZB
Rev: A
Sheet: 1 of 2

Content: Direct Sign Post Clamp Mount
PN: 2201-PM-ST-SGN-1-4
Color/Finish: Textured Black Powder Coat
Customer Approval: _____

Design by Sign Bracket Store. All visual representations and designs are the intellectual property of Sign Bracket Store and protected under copyright law. Any duplication of this design is in direct violation of the law and will result in legal action.

© Copyright 2008-2017



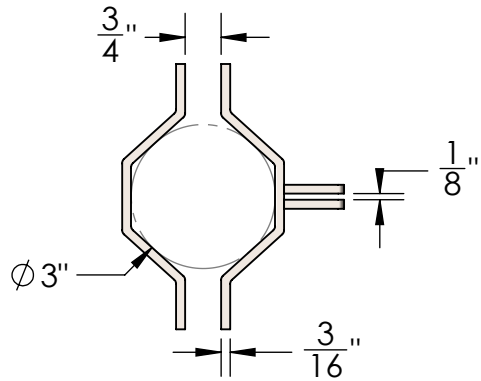
T: 888-919-7446

F: 760-603-0812

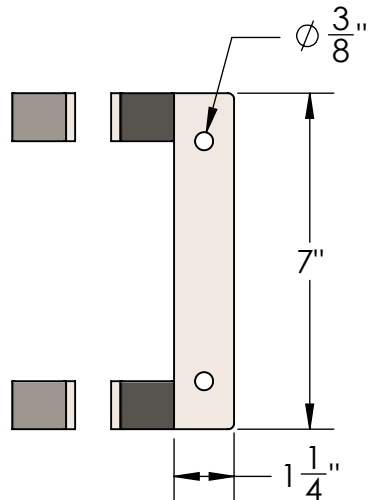
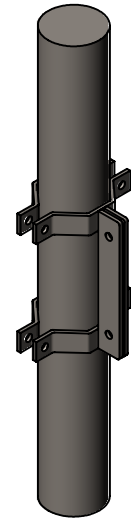
NOTES:

1.

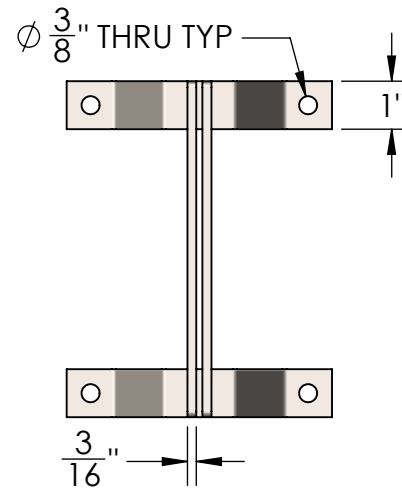
REVISIONS			
REV.	DESCRIPTION	DATE	CB



TOP VIEW



FRONT VIEW



RIGHT VIEW

Material: Steel

Scale: 1:4
DB: ZB
Rev: A
Sheet: 2 of 2

Content: Direct Sign Post Clamp Mount
PN: 2201-PM-ST-SGN-1-8
Color/Finish: Textured Black Powder Coat
Customer Approval: _____

Design by Sign Bracket Store. All visual representations and designs are the intellectual property of Sign Bracket Store and protected under copyright law. Any duplication of this design is in direct violation of the law and will result in legal action.

© Copyright 2008-2017



T: 888-919-7446

F: 760-603-0812