

FOR USE WITH ROUND POLES, 18"W BANNER

Hardware Included (PER BANNER SET):

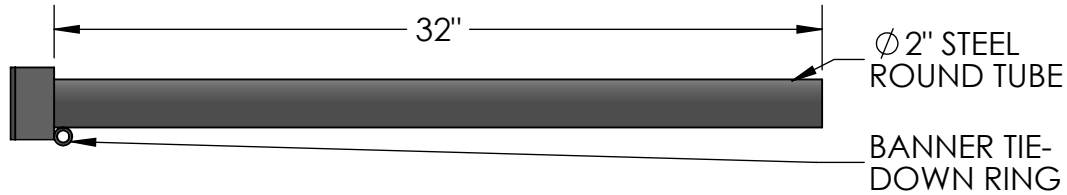
- (2) 5/16"-18 x 6"L Zinc Coated Carriage Bolt
- (6) 5/16"-18 Zinc Coated Hex Nut
- (6) 5/16" Lock Washer
- (6) 5/16" Flat Washer

	Standard Sizes*
Pole Dia./Width (P)	3", 4", 5", 6"

*Custom sizes available, call for details.

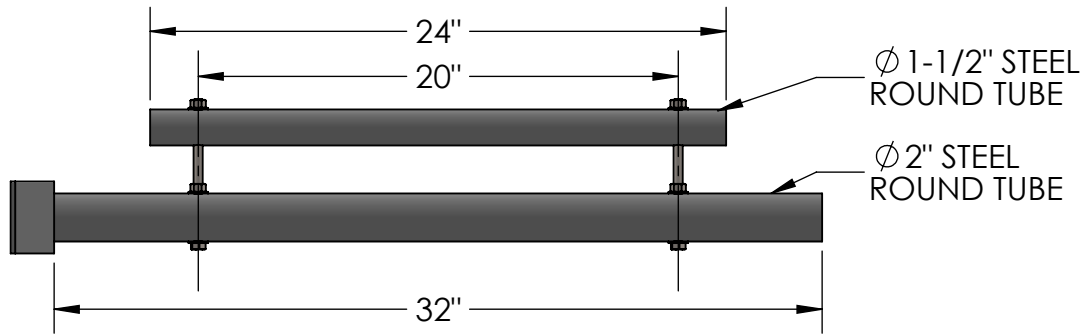


TOP VIEW



Ø 2" STEEL ROUND TUBE

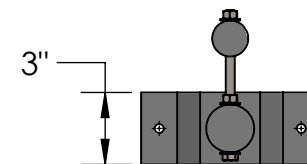
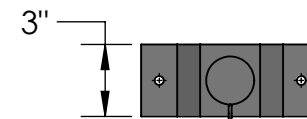
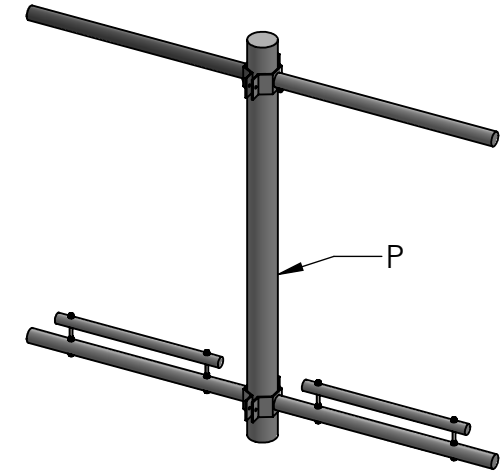
BANNER TIE-DOWN RING



Ø 1-1/2" STEEL ROUND TUBE

Ø 2" STEEL ROUND TUBE

FRONT VIEW



SIDE VIEW

Date: 10/2015
Scale: 1:8
DB: CF
CB:
Order#:

Content: Two-Way Trapeze Pole Mount Banner Bracket for 18"W Banner
PN: 305B-2WSET-18
Color/Finish: Textured Black Powder Coat
Customer Approval: _____

Design by Sign Bracket Store. All visual representations and designs are the intellectual property of Sign Bracket Store and protected under copyright law. Any duplication of this design is in direct violation of the law and will result in legal action.
© Copyright 2008-2015



T: 888-919-7446

F: 760-603-0812

FOR USE WITH SQUARE POLES, 18"W BANNER

Hardware Included (PER BANNER SET):

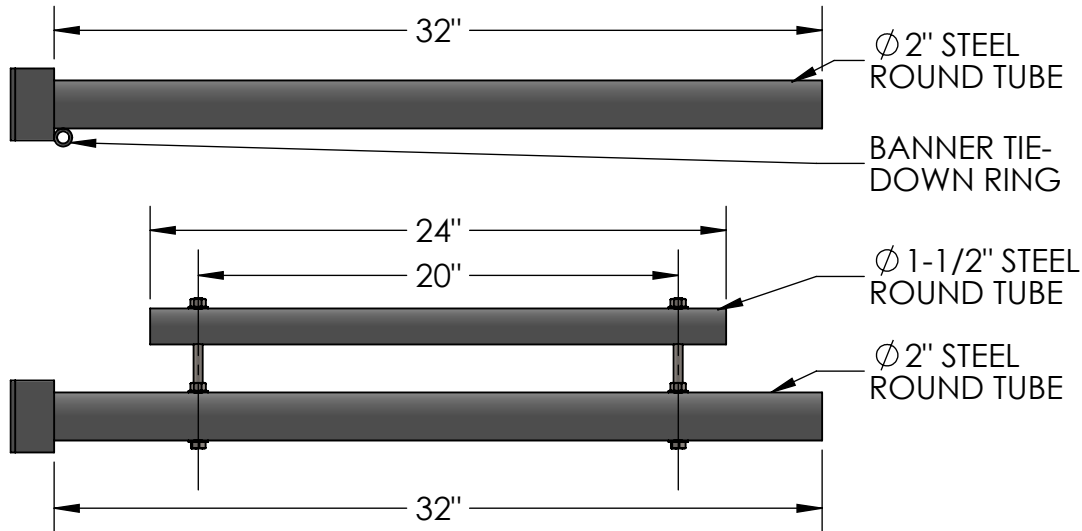
- (2) 5/16"-18 x 6"L Zinc Coated Carriage Bolt
- (6) 5/16"-18 Zinc Coated Hex Nut
- (6) 5/16" Lock Washer
- (6) 5/16" Flat Washer

	Standard Sizes*
Pole Dia./Width (P)	3", 4", 5", 6"

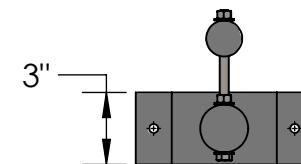
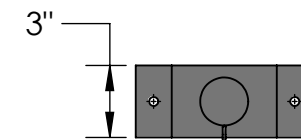
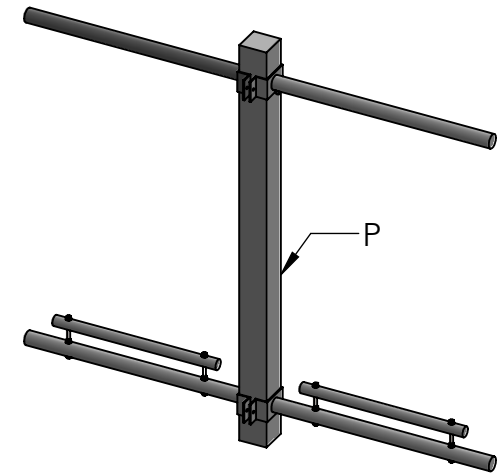
*Custom sizes available, call for details.



TOP VIEW



FRONT VIEW



SIDE VIEW

Date: 10/2015
 Scale: 1:8
 DB: CF
 CB:
 Order#:

Content: Two-Way Trapeze Pole Mount Banner Bracket for 18"W Banner
 PN: 305B-2WSET-18
 Color/Finish: Textured Black Powder Coat
 Customer Approval: _____

Design by Sign Bracket Store. All visual representations and designs are the intellectual property of Sign Bracket Store and protected under copyright law. Any duplication of this design is in direct violation of the law and will result in legal action.
 © Copyright 2008-2015



T: 888-919-7446

F: 760-603-0812