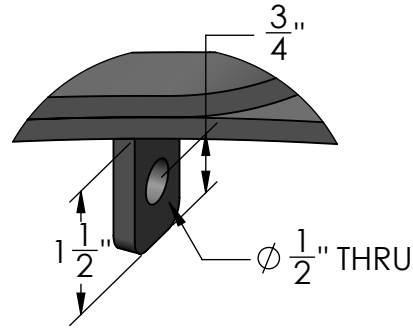
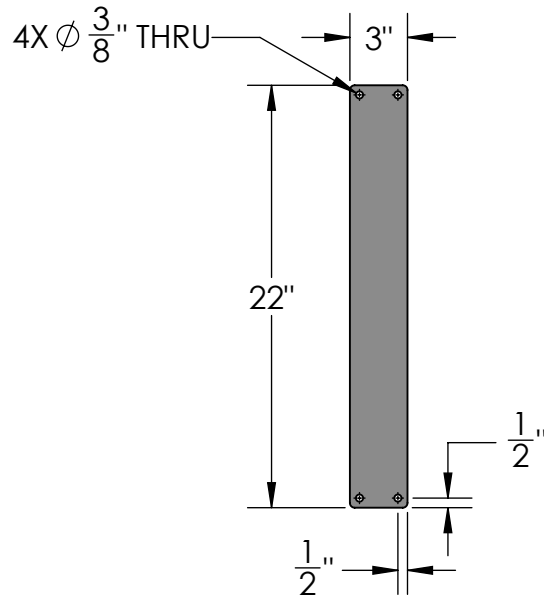
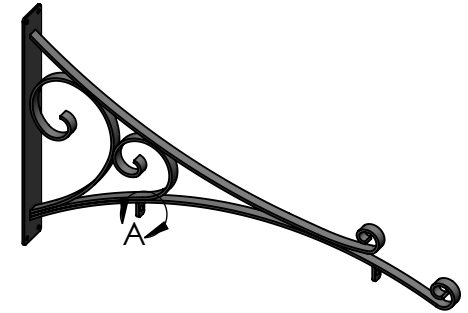


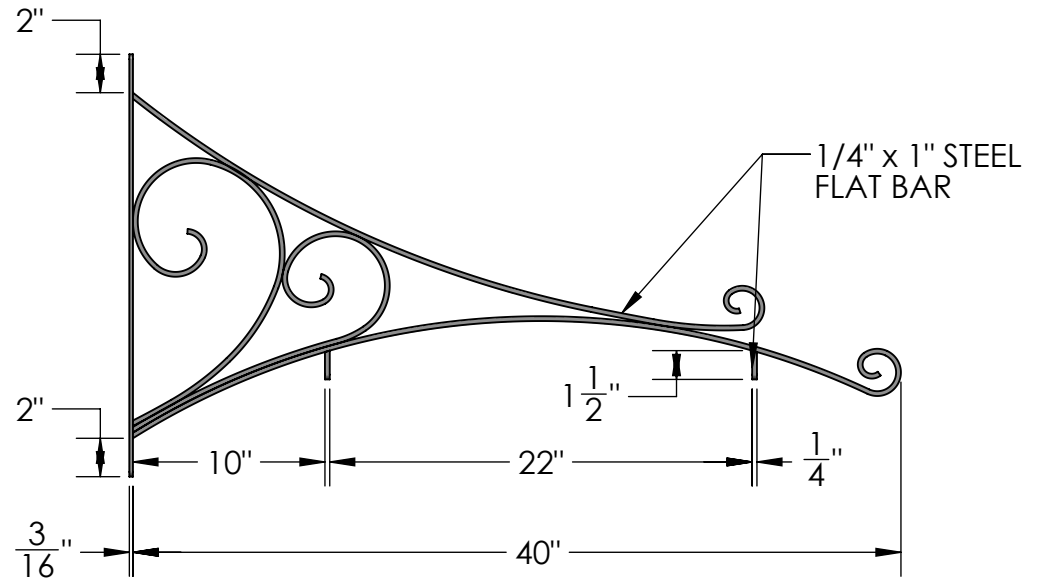
REVISIONS			
REV.	DESCRIPTION	DATE	CB
A	ORIGINAL DRAWING	9/26/2016	CF



DETAIL A
SCALE 1 : 2



SIDE VIEW



FRONT VIEW

Material:
Steel

Content: 40" Arcadia Arch Hanging Sign Bracket

Design by Sign Bracket Store. All visual representations and designs are the intellectual property of Sign Bracket Store and protected under copyright law. Any duplication of this design is in direct violation of the law and will result in legal action.



Scale: 1:10
DB: CF
Rev: A
Sheet: 1 of 1

PN: 409B-40

Color/Finish: Textured Black Powder Coat

Customer Approval: _____

© Copyright 2008-2016

T: 888-919-7446

F: 760-603-0812