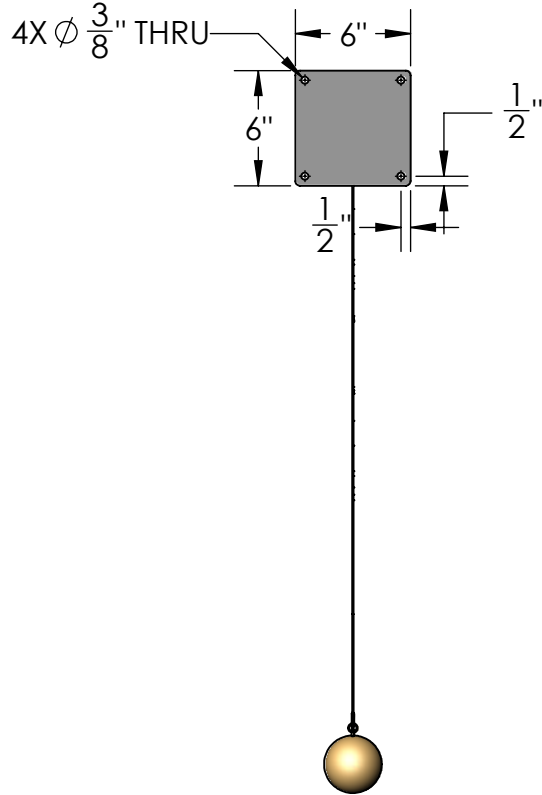
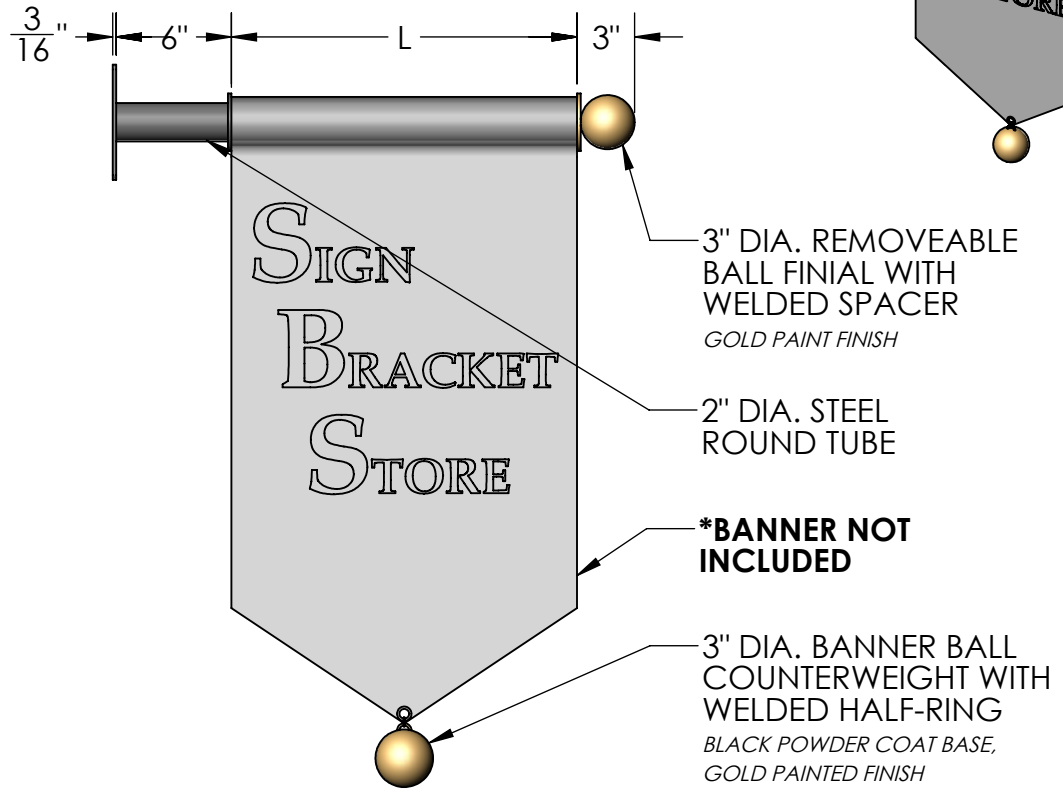


# BANNER LENGTH, L = 18", 24", 36"

CUSTOM SIZES ALSO AVAILABLE



**SIDE VIEW**



**FRONT VIEW**

Date: 10/2015  
 Scale: NTS  
 DB: CF  
 CB:  
 Order#:

Content: Bennington Banner Bracket with Banner Counterweight  
 PN: 311B-WM-GFB-XX  
 Color/Finish: Black Powder Coated Arm  
 Gold Painted Finial/Banner Counterweight  
 Customer Approval: \_\_\_\_\_

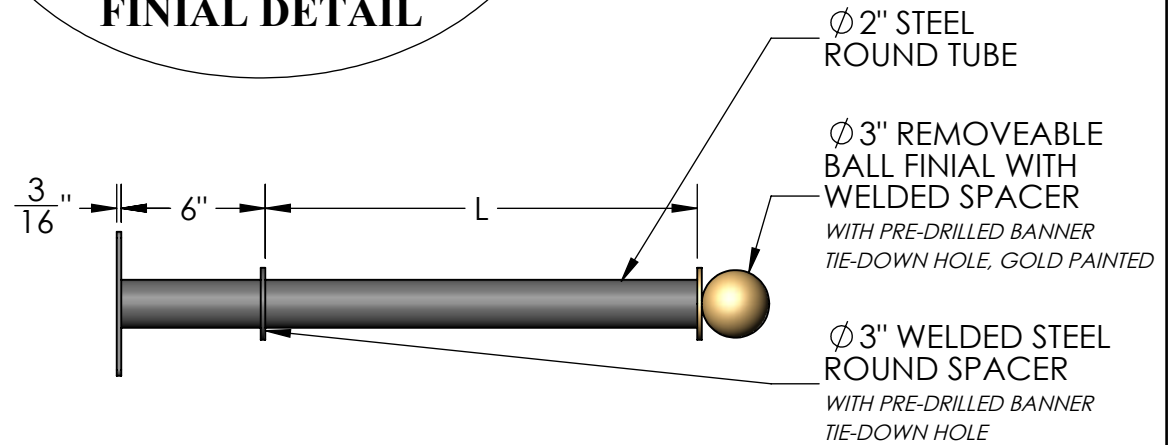
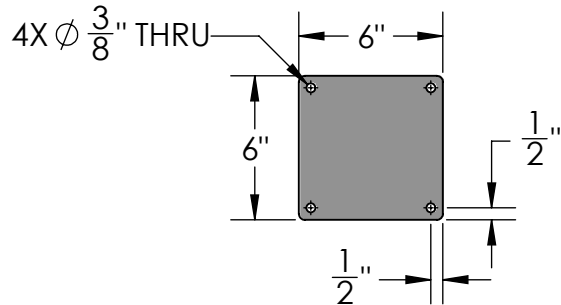
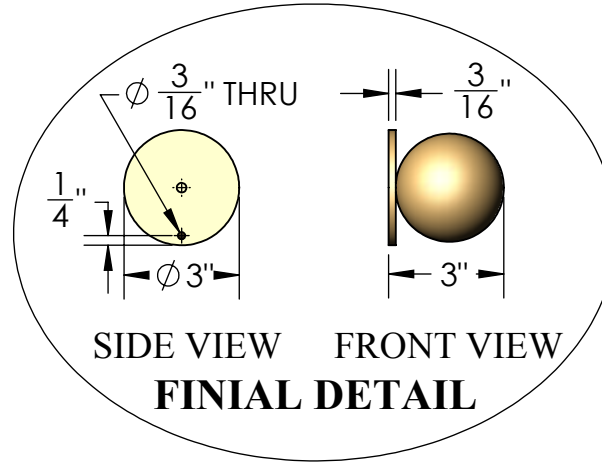
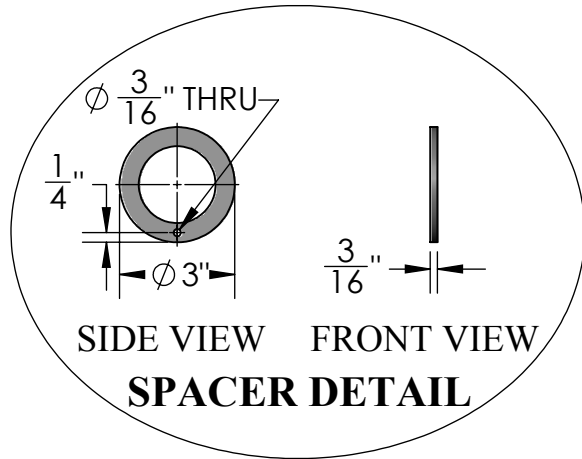
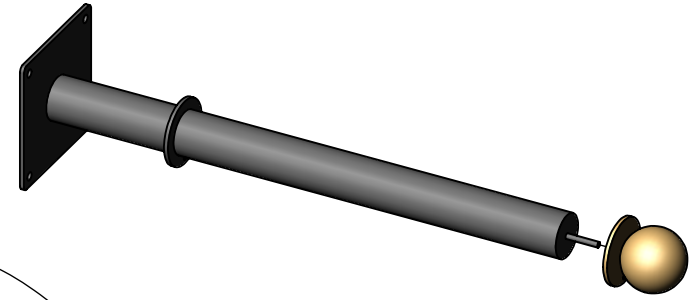
Design by Sign Bracket Store. All visual representations and designs are the intellectual property of Sign Bracket Store and protected under copyright law. Any duplication of this design is in direct violation of the law and will result in legal action.  
 © Copyright 2008-2015



T: 888-919-7446

F: 760-603-0812

**BANNER LENGTH, L = 18", 24", 36"**  
**CUSTOM SIZES ALSO AVAILABLE**



**SIDE VIEW**

**FRONT VIEW**

Date: 10/2015  
 Scale: NTS  
 DB: CF  
 CB:  
 Order#:

Content: Bennington Banner Bracket Arm  
 PN: 311B-WM-GBF-XX-ARM  
 Color/Finish: Textured Black Powder Coat, Gold Painted Finial  
 Customer Approval: \_\_\_\_\_

Design by Sign Bracket Store. All visual representations and designs are the intellectual property of Sign Bracket Store and protected under copyright law. Any duplication of this design is in direct violation of the law and will result in legal action.  
 © Copyright 2008-2015



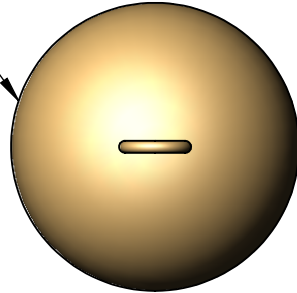
T: 888-919-7446

F: 760-603-0812

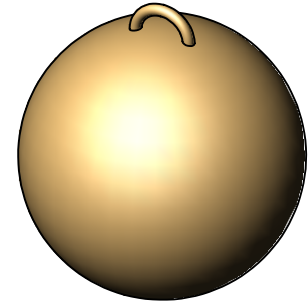
**COLOR/ FINISH: BLACK POWDER COAT BASE, GOLD PAINTED FINISH**

**WEIGHT: APPROX. 3.75 - 4 lbs**

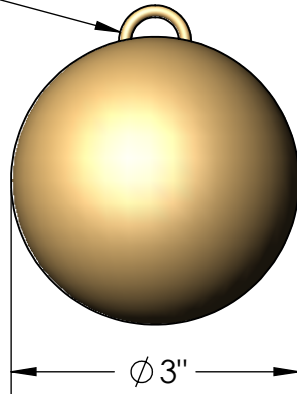
3" DIA. SOLID  
IRON BALL



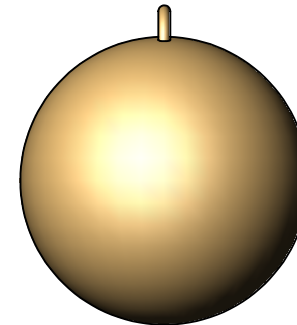
**TOP VIEW**



$\varnothing \frac{3}{4}$ " OD  
WELDED  
HALF RING



**FRONT VIEW**



**SIDE VIEW**

Date: 10/2015  
Scale: 1:2  
DB: CF  
CB:  
Order#:

Content: 3" Dia. Banner Counterweigh Ball  
PN: BB-3BALL-WR-GLD  
Color/Finish: Black Powder Coat Base, Gold Paint Finish  
Customer Approval: \_\_\_\_\_

Design by Sign Bracket Store. All visual representations and designs are the intellectual property of Sign Bracket Store and protected under copyright law. Any duplication of this design is in direct violation of the law and will result in legal action.  
© Copyright 2008-2015

**SIGN BRACKET STORE**  
By Hooks & Lattice  [SignBracketStore.com](http://SignBracketStore.com)

T: 888-919-7446

F: 760-603-0812