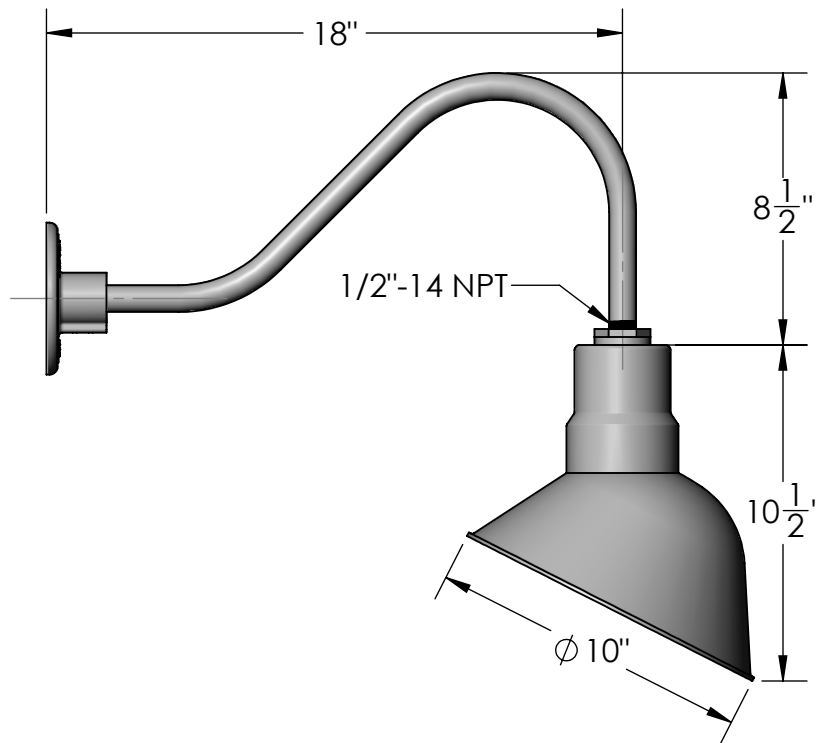
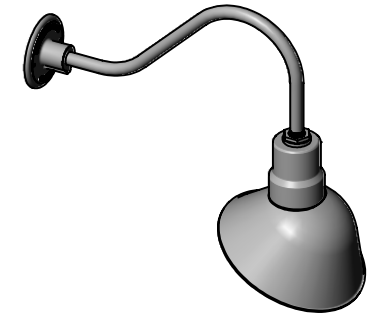
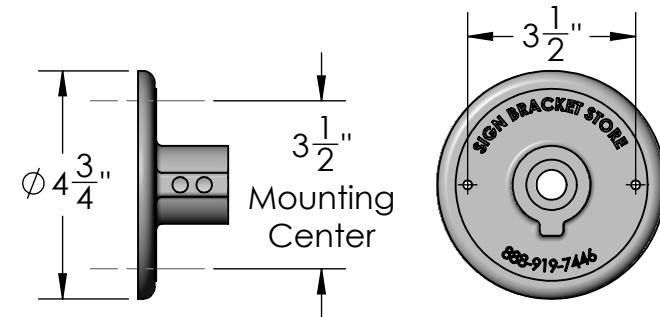
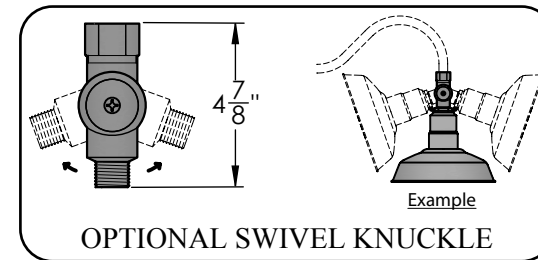


**NOTES:**

1. All aluminum construction.
2. UL Listed.
3. Available with alternate arm configurations.
4. Powder coat finished. See website for color options.



**FRONT VIEW**



**Bottom View**

**Front View**

**MOUNTING DETAIL**

Date: 09/2015  
 Scale: NTS  
 DB: CF  
 CB:  
 Order#:

Content: Gooseneck Light-18"L x 1/2" Dia. Arm, 10" Angle Shade  
 PN: SL8-AE1-ANG810  
 Color/Finish:  
 Customer Approval: \_\_\_\_\_

Design by Sign Bracket Store. All visual representations and designs are the intellectual property of Sign Bracket Store and protected under copyright law. Any duplication of this design is in direct violation of the law and will result in legal action.  
 © Copyright 2008-2015



T: 888-919-7446

F: 760-603-0812