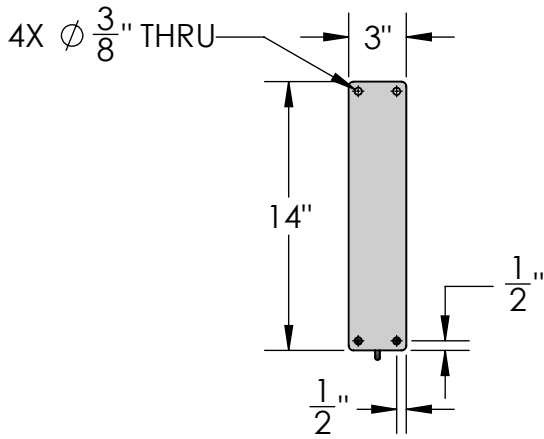
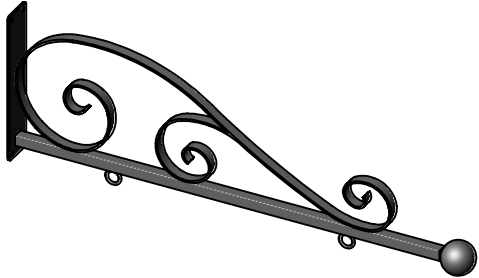
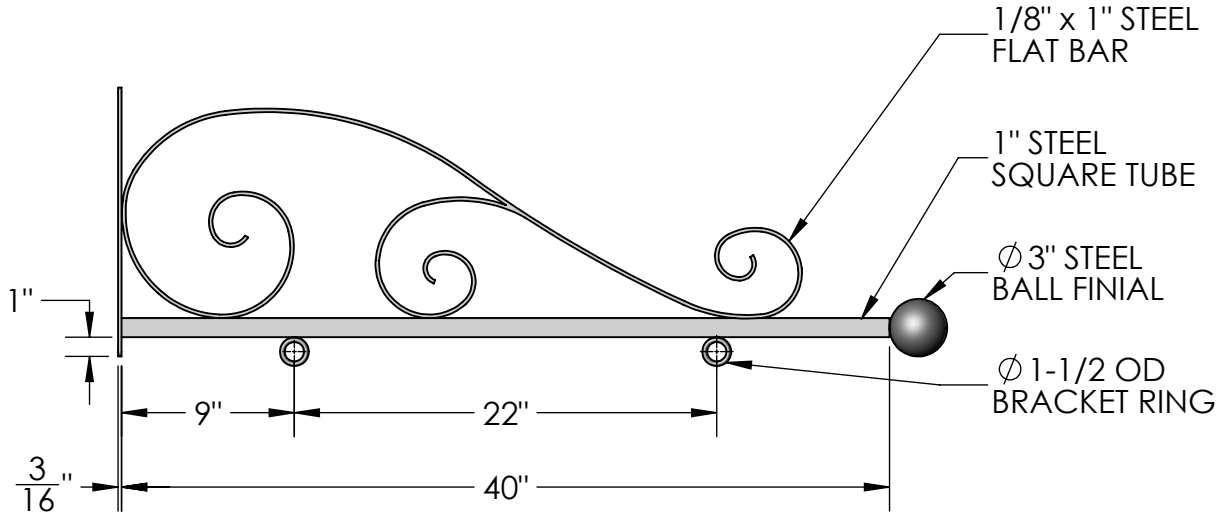


REVISIONS			
REV.	DESCRIPTION	DATE	CB
A	ORIGINAL DRAWING	5/2015	CF
B	UPDATED ARM LENGTH, 40" NOT INC. BF	4/4/2016	CF



**SIDE VIEW**



**FRONT VIEW**

Material: Steel

Scale: 1:10  
DB: CF  
Rev: B  
Sheet: 1 of 1

Content: 40" Torino Elite Hanging Blade Sign Bracket

PN: 370B-40

Color/Finish: Textured Black Powder Coat

Customer Approval: \_\_\_\_\_

Design by Sign Bracket Store. All visual representations and designs are the intellectual property of Sign Bracket Store and protected under copyright law. Any duplication of this design is in direct violation of the law and will result in legal action.

© Copyright 2008-2016



T: 888-919-7446

F: 760-603-0812