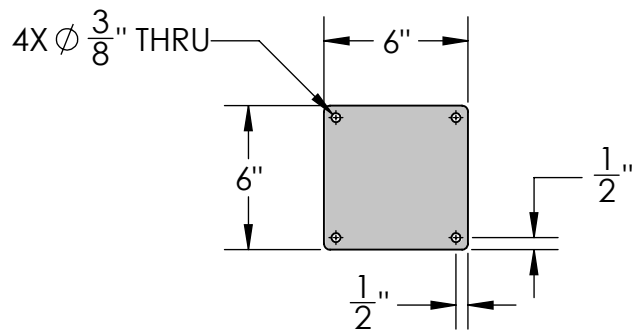
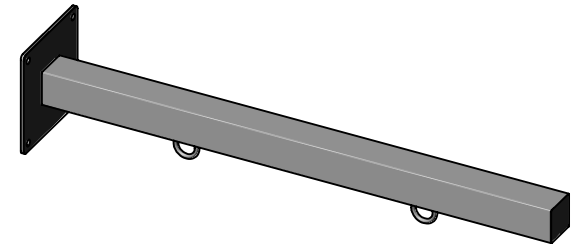
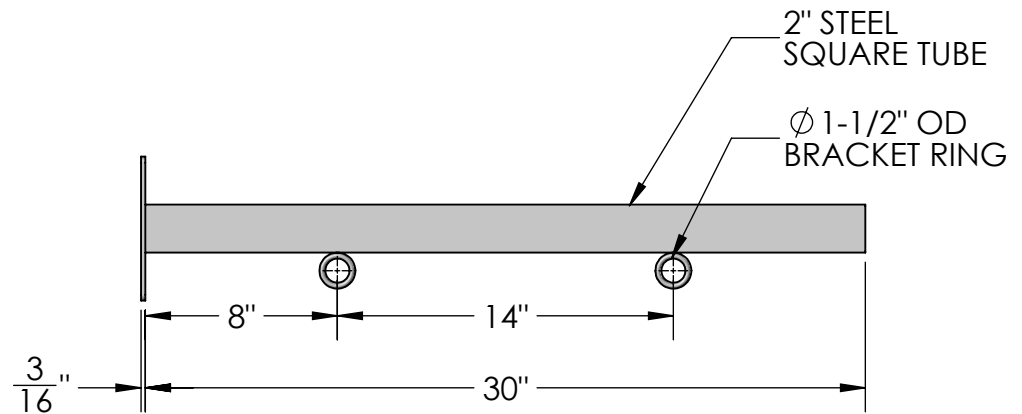


| REVISIONS | | | |
|-----------|------------------|-----------|----|
| REV. | DESCRIPTION | DATE | CB |
| A | ORIGINAL DRAWING | 4/22/2016 | CF |



SIDE VIEW



FRONT VIEW

Material:
Steel

Content: 30" Universal Straight Arm Bracket w/Rings
PN: 379B-30-WR

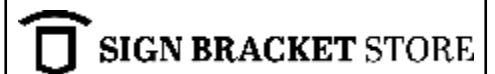
Scale: 1:8
DB: CF
Rev: A
Sheet: 1 of 1

Color/Finish: Textured Black Powder Coat

Customer Approval: _____

Design by Sign Bracket Store. All visual representations and designs are the intellectual property of Sign Bracket Store and protected under copyright law. Any duplication of this design is in direct violation of the law and will result in legal action.

© Copyright 2008-2016



T: 888-919-7446

F: 760-603-0812