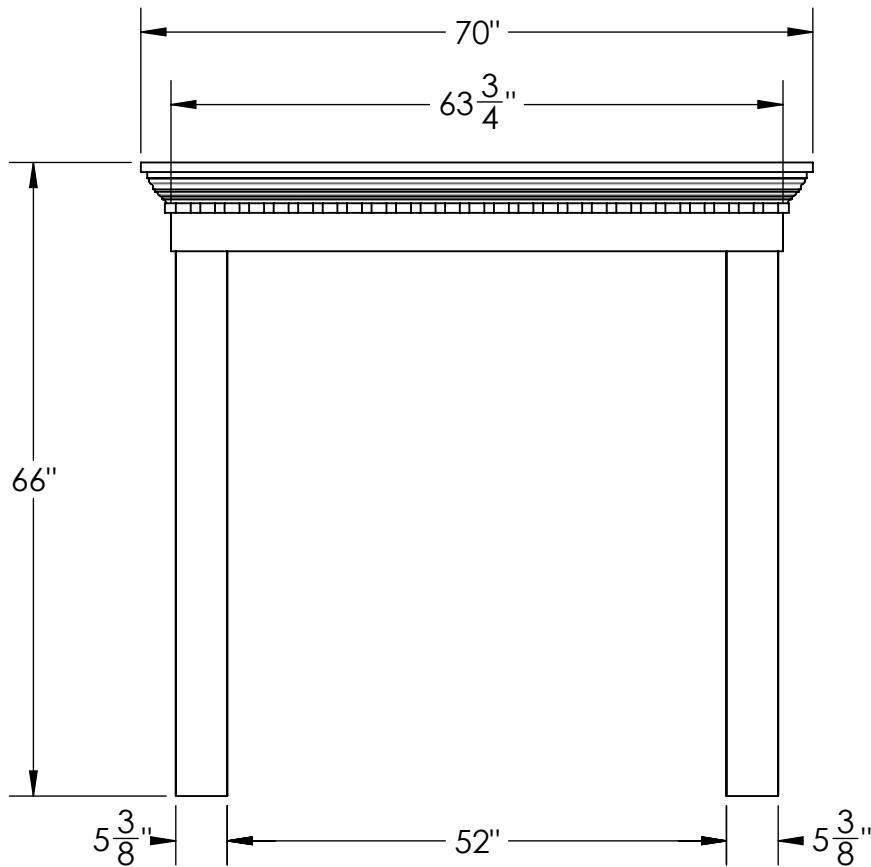


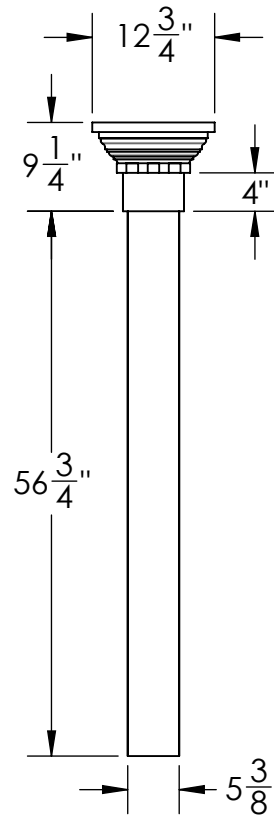
NOTES:

1. Constructed from Cellular PVC.
2. Post Sleeves (b) slip over 4x4 wood posts.
3. Designed for signs up to 48" wide.

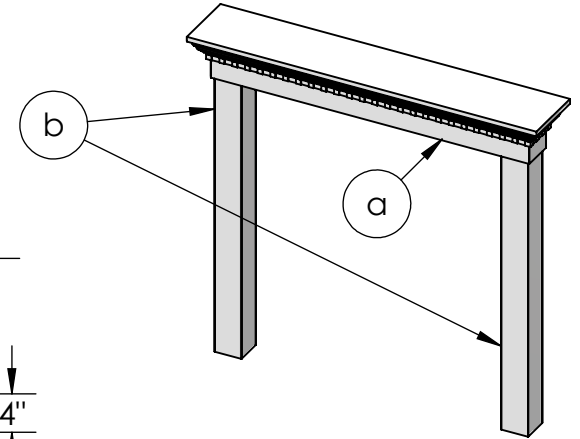
REVISIONS			
REV.	DESCRIPTION	DATE	CB
A	ORIGINAL DRAWING	3/3/2017	ZB



FRONT VIEW



SIDE VIEW



Material:
Cellular PVC

Scale: 1:20
DB: ZB
Rev: A
Sheet: 1 of 3

Content: Large Colonial Post & Panel System

PN: A2-PNP-100-60

Color/Finish: Unpainted PVC

Customer Approval: _____

Design by Sign Bracket Store. All visual representations and designs are the intellectual property of Sign Bracket Store and protected under copyright law. Any duplication of this design is in direct violation of the law and will result in legal action.

© Copyright 2008-2017



SIGN BRACKET STORE

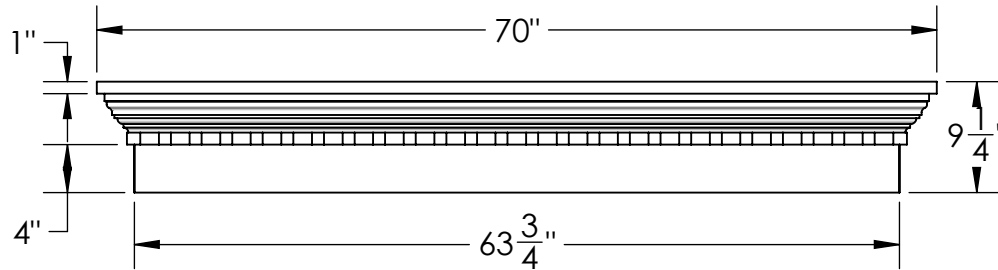
T: 888-919-7446

F: 760-603-0812

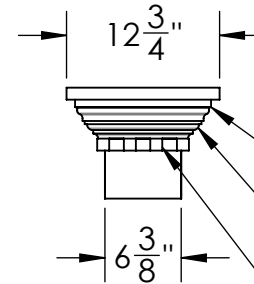
NOTES:

1. Constructed from Cellular PVC.
2. Post Sleeves (b) slip over 4x4 wood posts.
3. Designed for signs up to 48" wide.

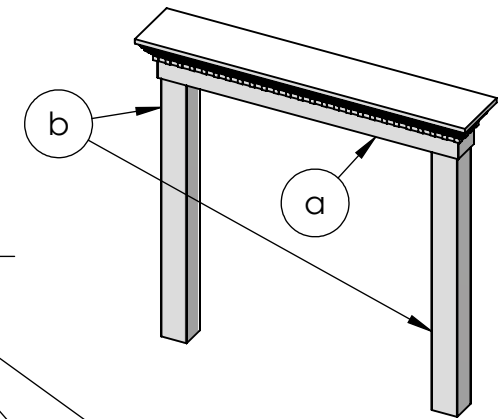
REVISIONS			
REV.	DESCRIPTION	DATE	CB
A	ORIGINAL DRAWING	3/3/2017	ZB



FRONT VIEW



SIDE VIEW



NEWPORT
PVC TRIM

CATALINA
PVC TRIM

1" x 1" x 1/8"
RAISED SQUARES

OPEN CUTOUTS TO SLIP
OVER POST SLEEVES (b)



BOTTOM VIEW

Material:
Cellular PVC

Scale: 1:16
DB: ZB
Rev: A
Sheet: 2 of 3

Content: Large Colonial Post & Panel System

PN: A2-PNP-100-60

Color/Finish: Unpainted PVC

Customer Approval: _____

Design by Sign Bracket Store. All visual representations and designs are the intellectual property of Sign Bracket Store and protected under copyright law. Any duplication of this design is in direct violation of the law and will result in legal action.

© Copyright 2008-2017



SIGN BRACKET STORE

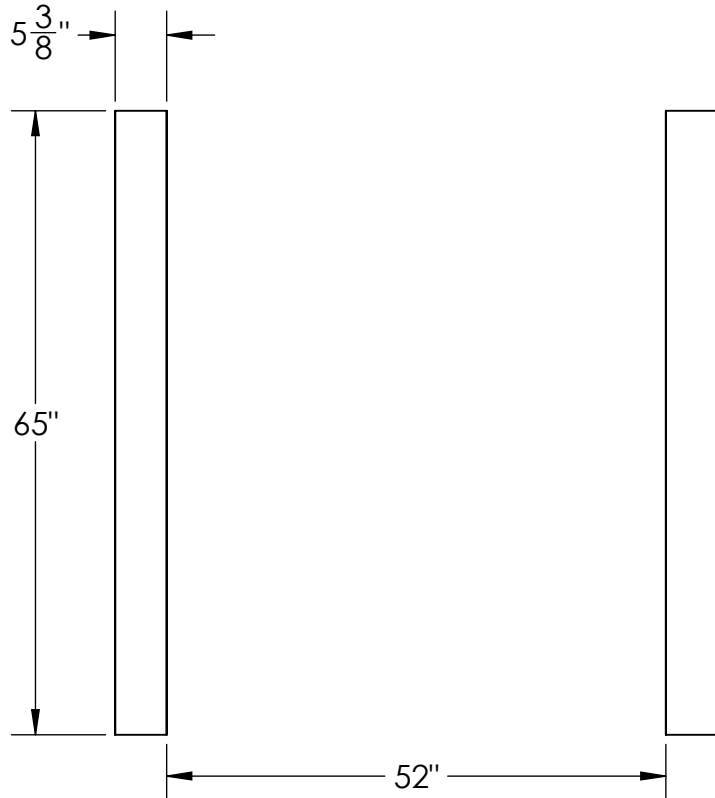
T: 888-919-7446

F: 760-603-0812

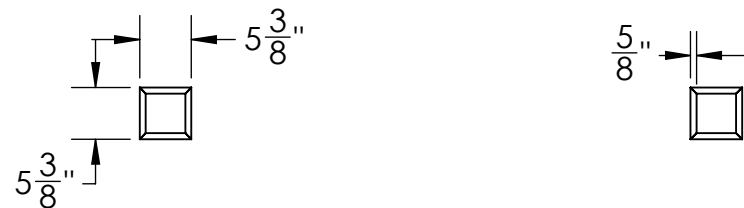
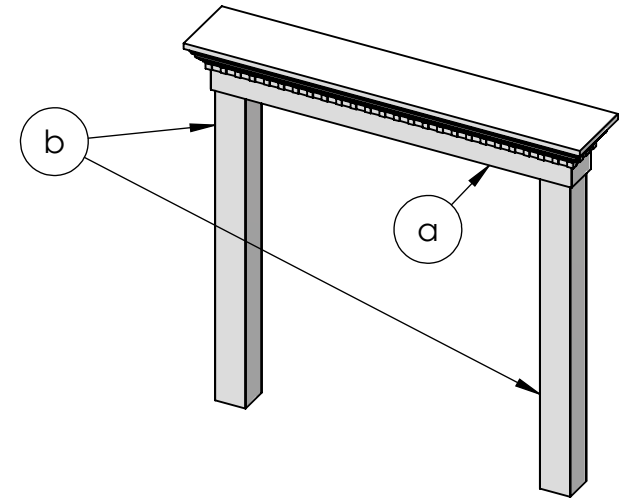
NOTES:

1. Constructed from Cellular PVC.
2. Post Sleeves (b) slip over 4x4 wood posts.
3. Designed for signs up to 48" wide.

REVISIONS			
REV.	DESCRIPTION	DATE	CB
A	ORIGINAL DRAWING	3/3/2017	ZB



FRONT VIEW



TOP VIEW

Material:
Cellular PVC

Scale: 1:20
DB: ZB
Rev: A
Sheet: 3 of 3

Content: Large Colonial Post & Panel System

PN: A2-PNP-100-60

Color/Finish: Unpainted PVC

Customer Approval: _____

Design by Sign Bracket Store. All visual representations and designs are the intellectual property of Sign Bracket Store and protected under copyright law. Any duplication of this design is in direct violation of the law and will result in legal action.

© Copyright 2008-2017



T: 888-919-7446

F: 760-603-0812