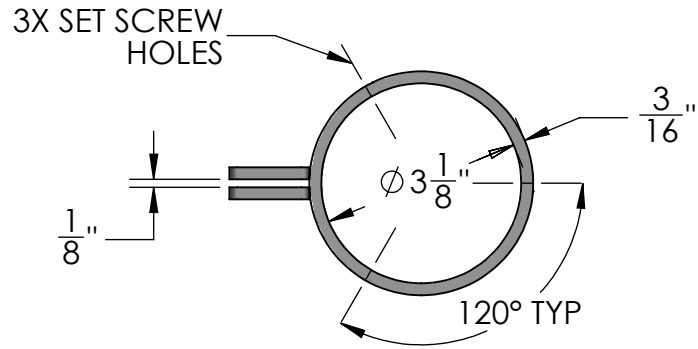
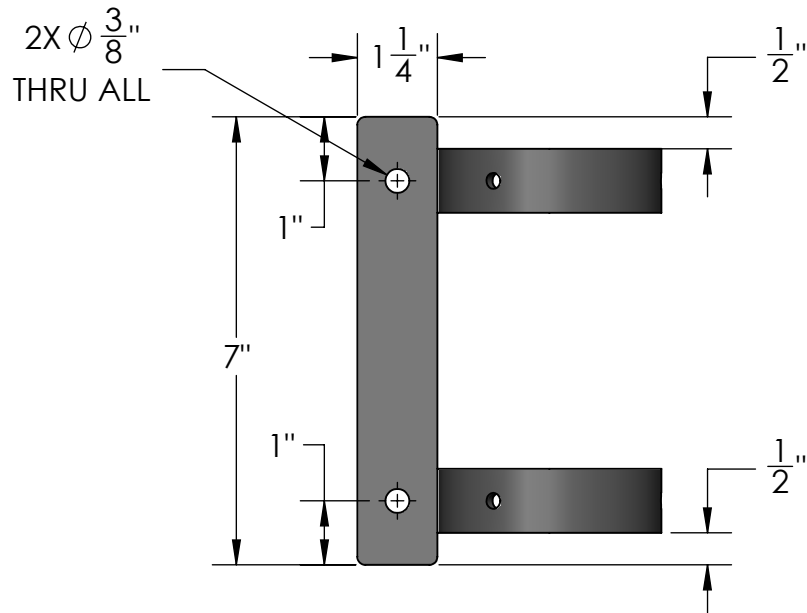
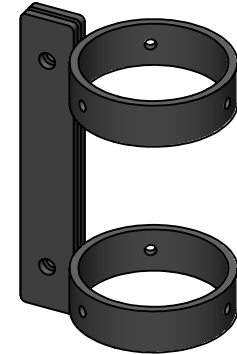


REVISIONS			
REV.	DESCRIPTION	DATE	CB
A	ORIGINAL DRAWING	5/2015	CF
B	ADDED ADDITIONAL DIMS.	2/18/2016	CF

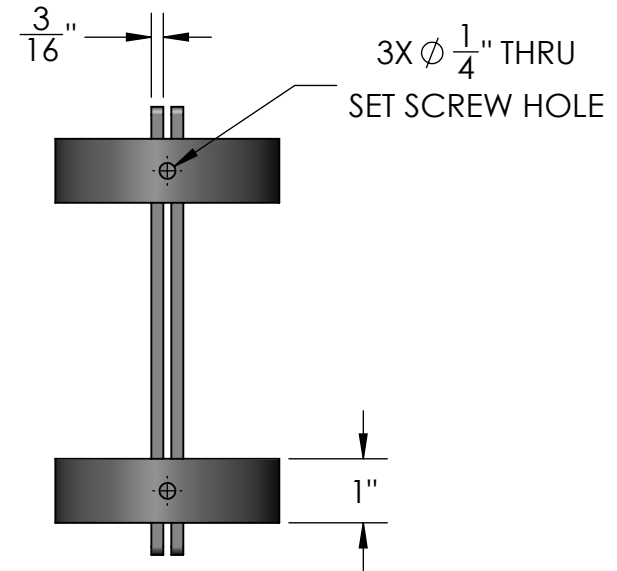


TOP VIEW

NOTE: Includes (3) set screws per ring (6 total) to secure mount to standard 3" post; sign fasteners NOT included.



FRONT VIEW



SIDE VIEW

Material: Steel

Scale: 1:3
DB: CF
Rev: B
Order#:

Content: Slip-Over Direct Sign Mount (1/8")

PN: 2201-SO-ST-SGN-18

Color/Finish: Textured Black Powder Coat

Customer Approval: _____

Design by Sign Bracket Store. All visual representations and designs are the intellectual property of Sign Bracket Store and protected under copyright law. Any duplication of this design is in direct violation of the law and will result in legal action.

© Copyright 2008-2016



T: 888-919-7446

F: 760-603-0812