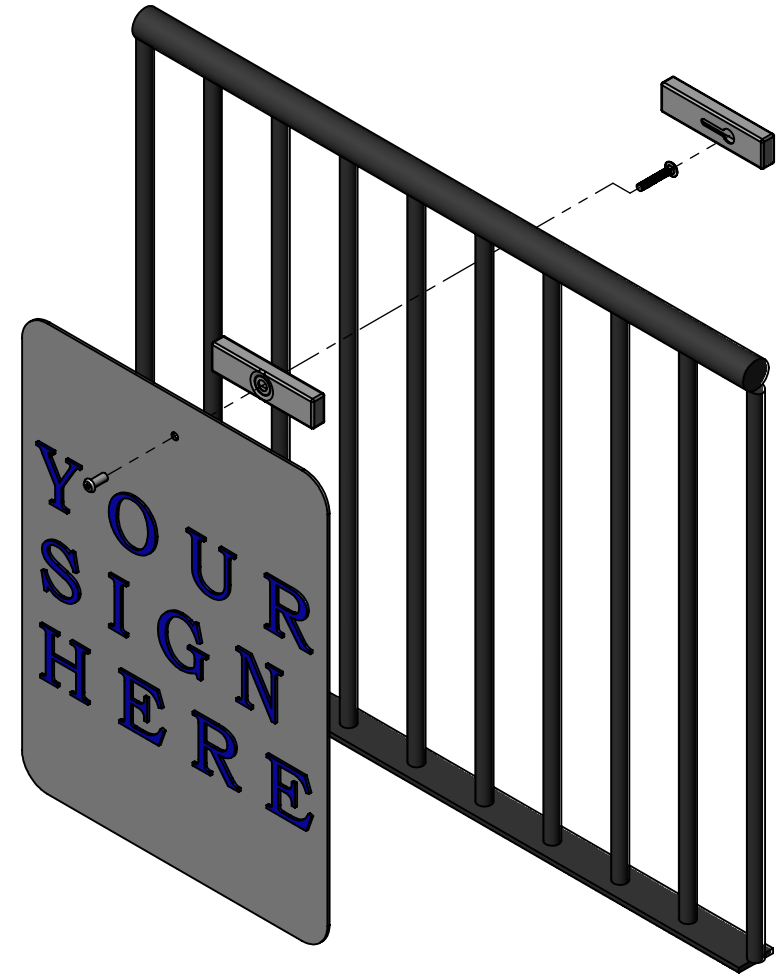
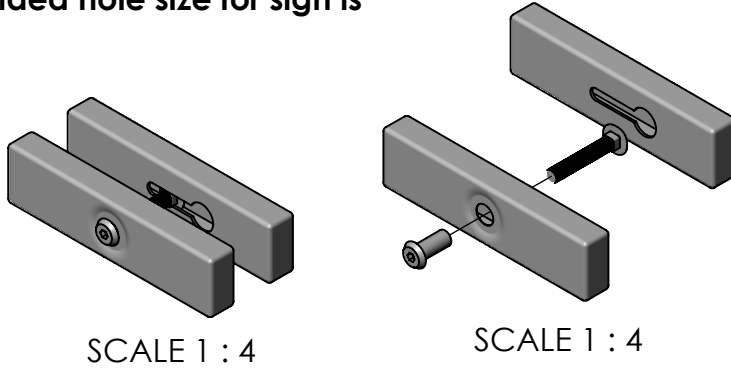


NOTES:

1. For use with 1-1/2" deep round or square vertical fencing
2. Recommended hole size for sign is 3/8" to 1/2"

REVISIONS			
REV.	DESCRIPTION	DATE	CB
A	ORIGINAL DRAWING	10/13/2016	ZB



FRONT VIEW



SIDE VIEW

Material:
Aluminum

Scale: 1:12
DB: ZB
Rev: A
Sheet: 1 of 2

Content: Wrought Iron Fence Sign Holder

PN: HM-SBS-RK6

Color/Finish: Black

Customer Approval: _____

Design by Sign Bracket Store. All visual representations and designs are the intellectual property of Sign Bracket Store and protected under copyright law. Any duplication of this design is in direct violation of the law and will result in legal action.

© Copyright 2008-2016



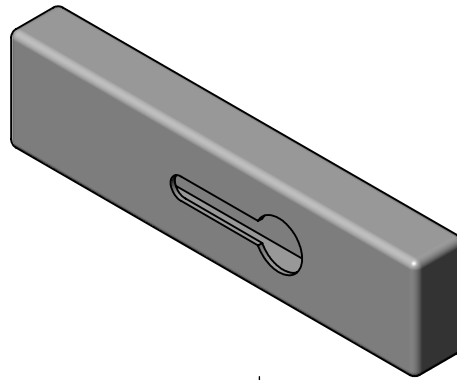
SIGN BRACKET STORE

T: 888-919-7446

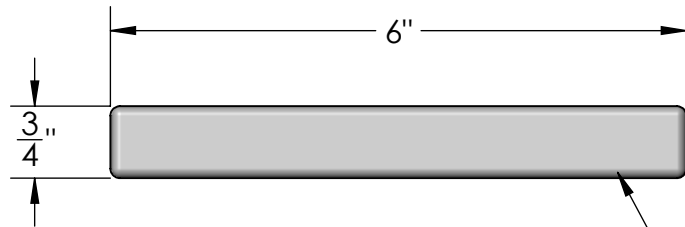
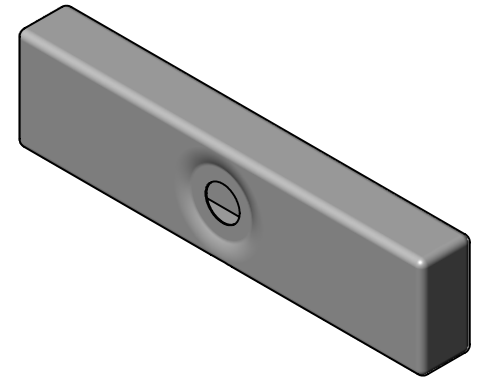
F: 760-603-0812

REVISIONS			
REV.	DESCRIPTION	DATE	CB
A	ORIGINAL DRAWING	10/13/2016	ZB

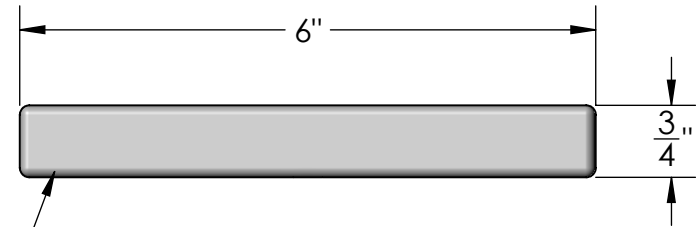
BACK PLATE



FRONT PLATE

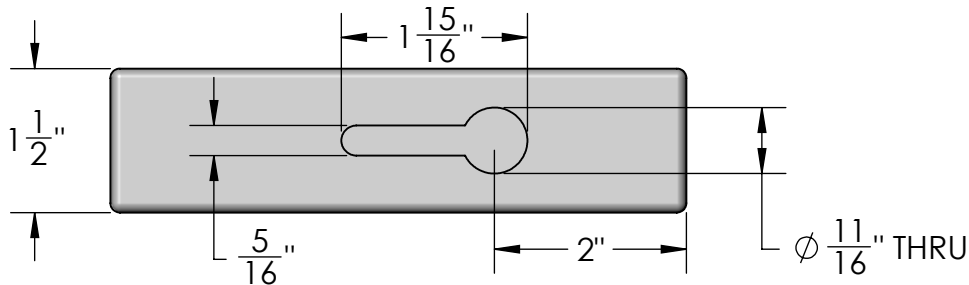


TOP VIEW

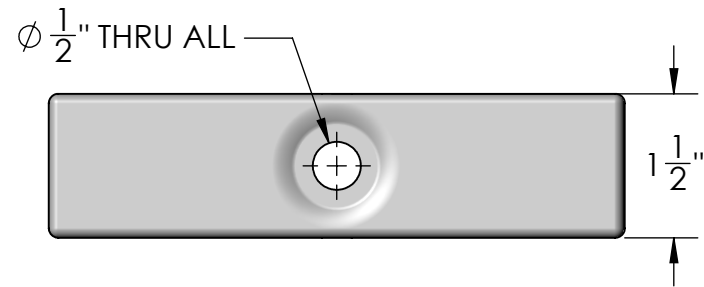


TOP VIEW

1/16" THK RECT TUBE



FRONT VIEW



FRONT VIEW

Material:
Aluminum

Content: Wrought Iron Fence Sign Holder

Scale: 1:12

PN: HM-SBS-RK6

DB: ZB

Color/Finish: Black

Rev: A

Customer Approval: _____

Sheet: 2 of 2

Design by Sign Bracket Store. All visual representations and designs are the intellectual property of Sign Bracket Store and protected under copyright law. Any duplication of this design is in direct violation of the law and will result in legal action.

© Copyright 2008-2016



T: 888-919-7446

F: 760-603-0812