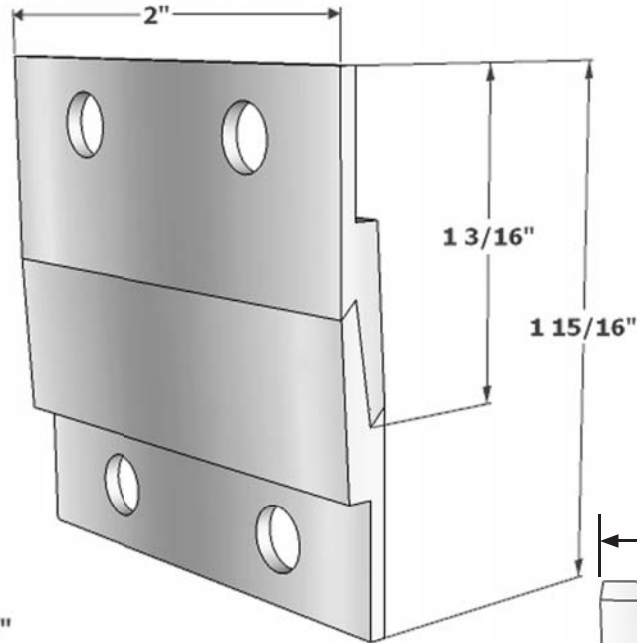
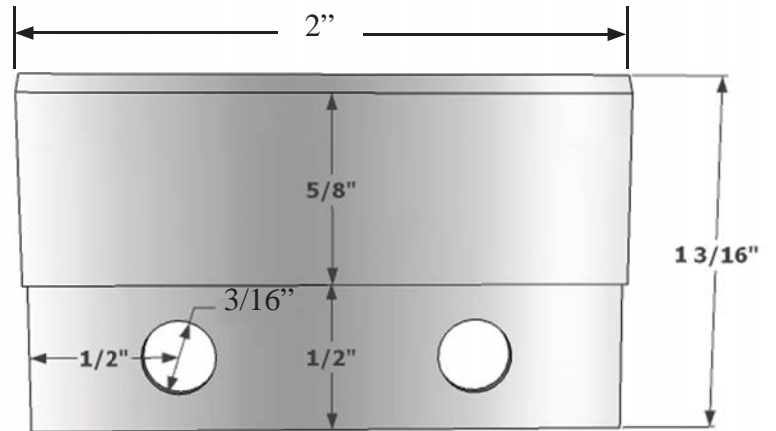


Detail Profile



Detail Engaged Perspective

T5 6005A aluminum alloy



Detail Front

AVAILABLE IN LENGTHS FROM 2" TO 8'

CH-316-

PN:

Date: 12/12  
 Sheet  
 Scale: NTS  
 DB: KE  
 CB:  
 Inv:

Content: LIGHT DUTY CLEAT

Customer Approval: \_\_\_\_\_

Design by Sign Bracket Store. All visual representations and designs are the intellectual property of Sign Bracket Store and protected under copyright law. Any duplication of this design is in direct violation of the law and will result in legal action.  
 © Copyright 2008-2012

**SIGN BRACKET STORE**  
 By Hooks & Lattice  SignBracketStore.com  
 T:888-919-7446 F:760-603-0812